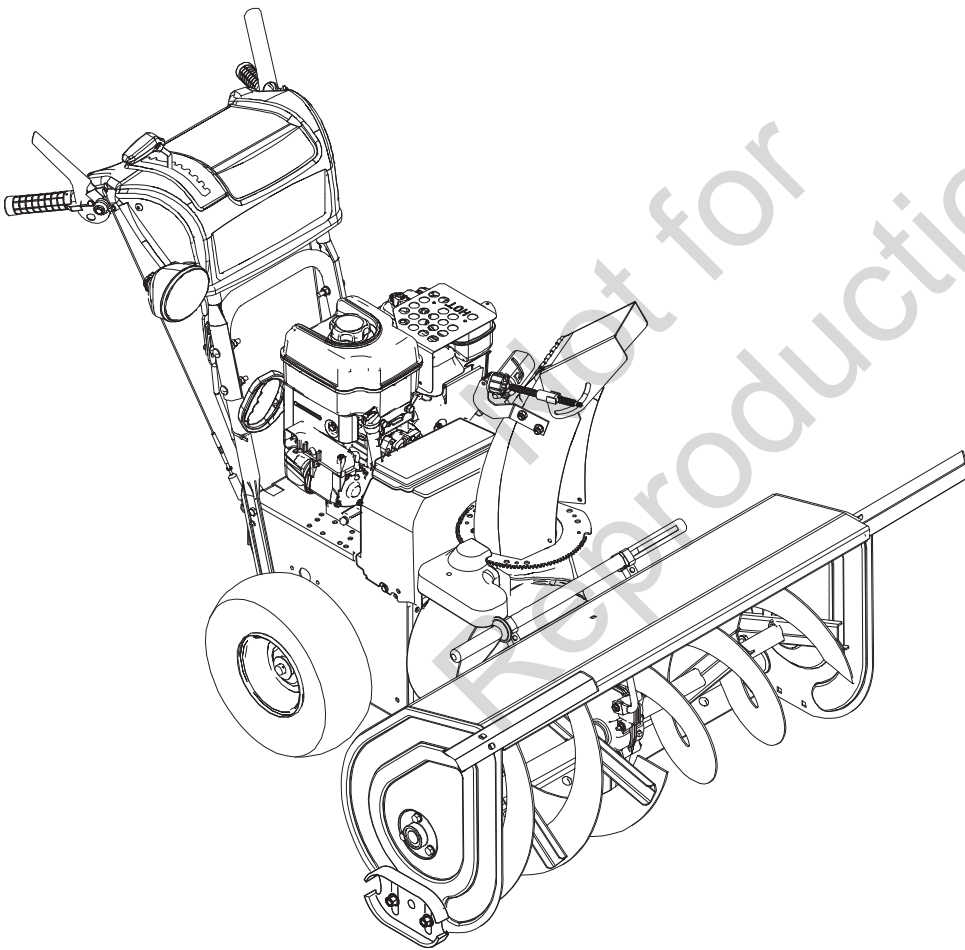


Parts Manual for

SNAPPER®

26", 28" & 30" LARGE FRAME TWO-STAGE SNOW THROWERS (2010)

<i>Model No.</i>	<i>Description</i>
1695847	L1226E
1695848	L1528E
1695854	L1528EX
1695849	L1730E
1695855	L1730EX



Briggs & Stratton Yard Power Products Group

535 Macon Road
McDonough, GA, 30253 U.S.A.
800-935-2967

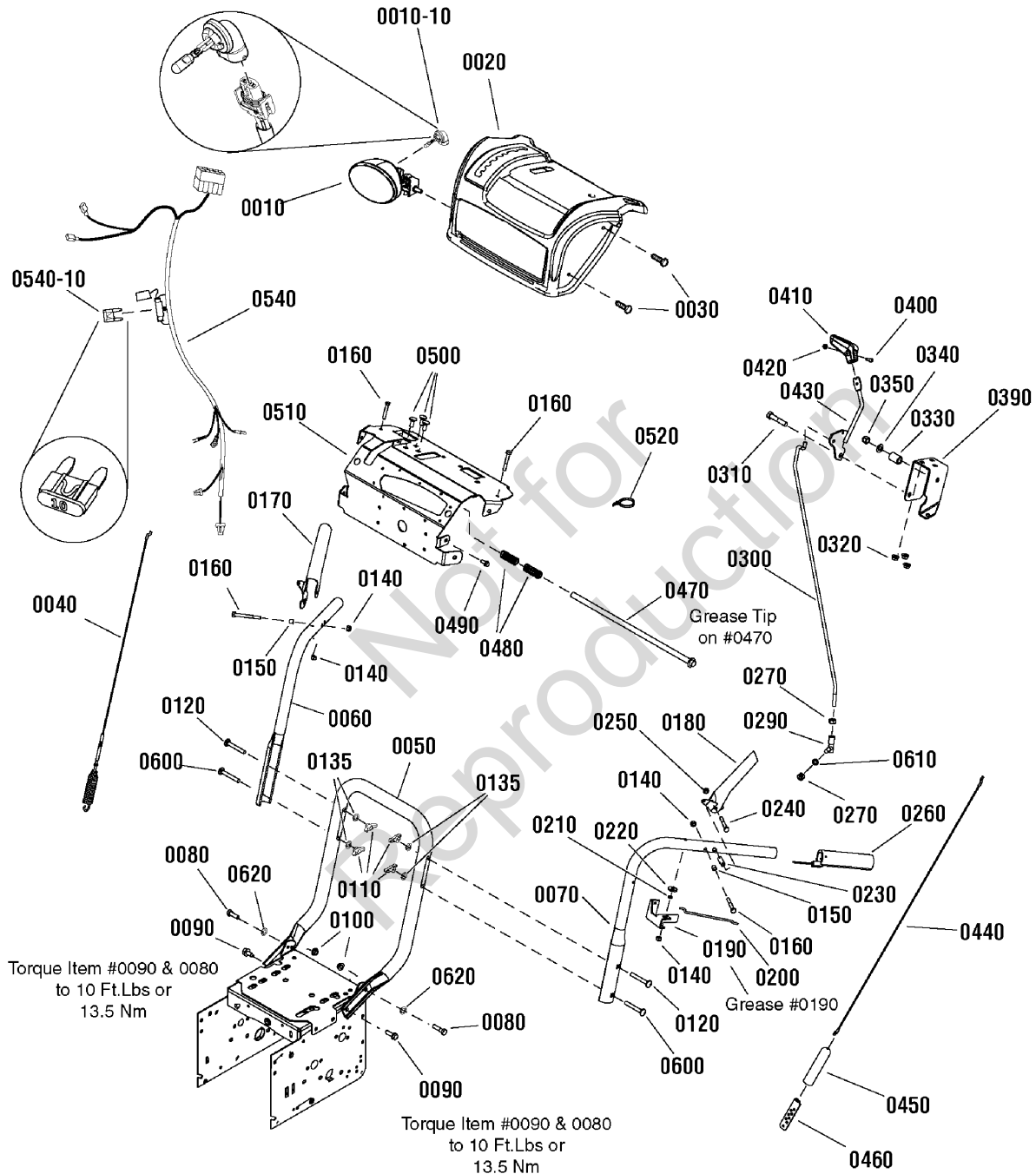
Manual No. 7104729
Revision: A 10/1/2010

Not for
Reproduction

PAGE	GROUP
4	Handles & Controls Group
8	Auger Housing Group - 28" & 30"
10	Auger Drive Group - 28" & 30"
12	Gear Case Assembly - 26" Med. Duty
14	Gear Case Assembly - Heavy Duty
16	Chute & Rotation Group - Electric
18	Engine & Frame Group - 11.5TP
22	Engine & Frame Group - 14.5TP & 16.5TP
26	Traction Drive Group - Easy Turn
30	Decals Group
32	Wheels & Tires Group

Not for
Reproduction

Handles & Controls Group



Handles & Controls Group

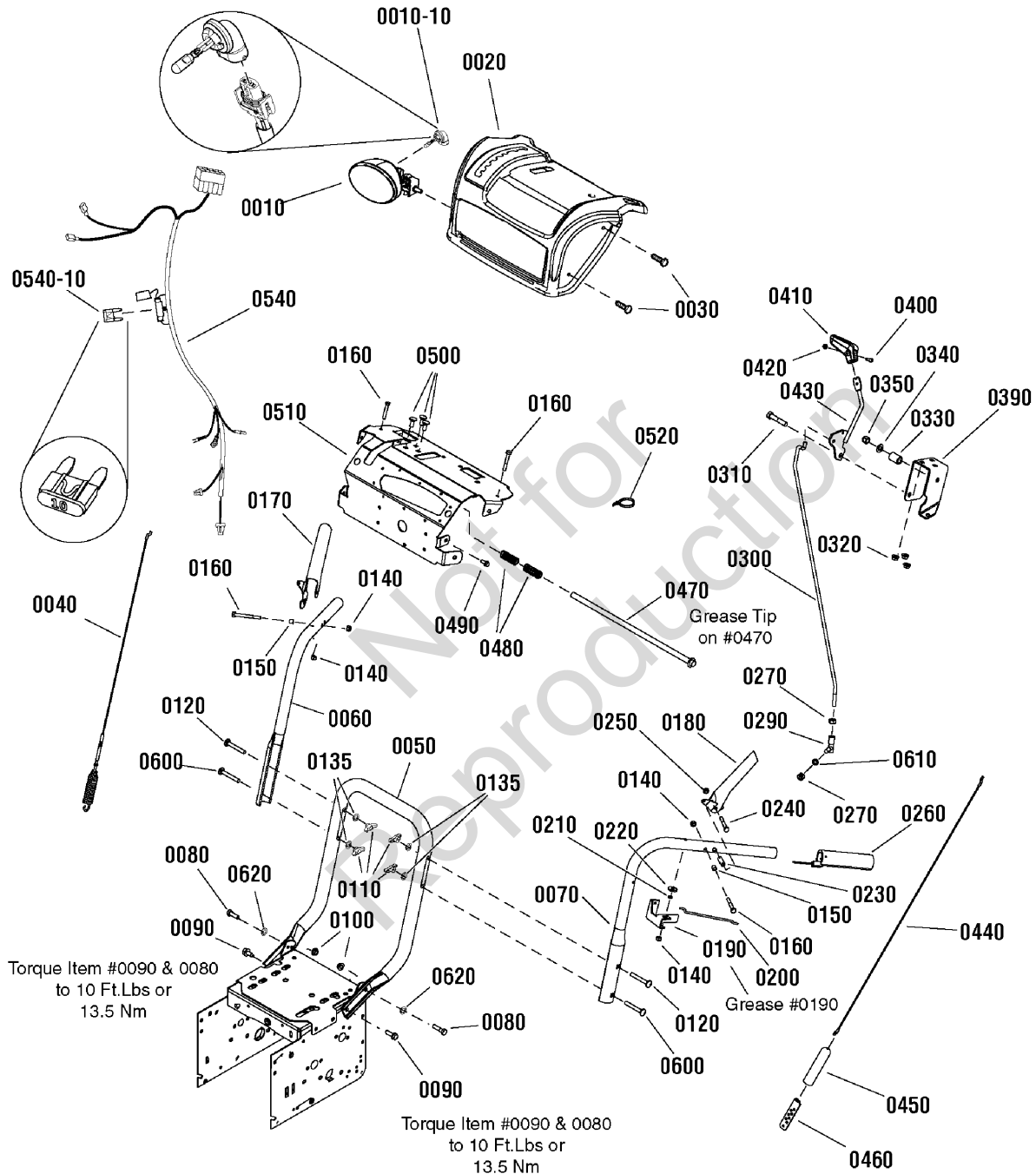
Item	Part No	Qty	Description
0010	1737966	1	HEADLIGHT, Oval
0010-10	-----	1	BULB, 881-12V 27W Halogen Lamp (Included with Ref. No. 0010)
0020	1738247D	1	COVER, Panel
0030	1960715	3	CAPSCREW, Truss Head Torx, 1/4-20 x 3/4
0040	1732471	1	CABLE & SPRING ASSEMBLY, Auger Drive, RH
0050	1737759BM	1	HANDLE, Lower
0060	1734587BM	1	HANDLE, Upper, RH
0070	1734586BM	1	HANDLE, Upper, LH
0080	1921333	2	CAPSCREW, Hex Head, 5/16-18 x 1, G5
0090	1664847	2	CAPSCREW, Hex Washer Head, Taptite, 5/16-18 x 3/4
0100	1935048	2	NUT, Hex Flange, Two Way Lock, 5/16-18
0110	7035744	4	KNOB, Wing, 5/16-18
0120	1750299	2	BOLT, Carriage, Curved Head, 5/16-18 x 2-1/4
0135	7090391	2	WASHER, Internal Tooth, 5/16
0140	1920397	4	NUT, Hex Lock, ESNA Light, 1/4-20
0150	1678392	2	SPACER, 1/4 ID x 3/8 OD x .33"
0160	1921962	4	CAPSCREW, Hex Head, 1/4-20 x 1-3/4, G5
0170	1739783BM	1	LEVER, Clutch, RH (Use with 28" Auger Housing)
0170	1739783BM	1	LEVER, Clutch, RH (Use with 30" Auger Housing)
0180	1739782BM	1	LEVER, Clutch, LH (Use with 28" Auger Housing)
0180	1739782BM	1	LEVER, Clutch, LH (Use with 30" Auger Housing)
0190	1733505BM	1	BRACKET, Pivot, Free Hand
0200	1736360	1	ROD, Hold Down
0210	1733095	1	SPACER, 1/4 ID x 3/8 OD x .118"
0220	1960353	1	WASHER, 1/4
0230	1736542	2	SPACER, Stepped
0240	1750554	2	SCREW, Hex Washer Head, Shoulder, 10-24
0250	1933896	2	NUT, Hex Lock, Nylon Insert, 10-24
0260	1726317	2	GRIP
0270	2820263	2	NUT, Hex, 5/16-24
0290	724360	1	BALLJOINT
0300	1751543	1	ROD, Speed Control
0310	1923701	1	CAPSCREW, Hex Head, 3/8-16 x 2, G5
0320	1931277	3	NUT, Hex Flange, Whiz Lock, 5/16-18
0330	724361	1	SPRING, 3/4"
0340	1918266	1	WASHER, 3/8
0350	1919439	1	NUT, Hex Lock, ESNA Light, 3/8-16
0390	1737684	1	BRACKET, Controls
0400	1960589	1	SCREW, Round Head Phillips, #10-24 x 3/4
0410	1733192	1	KNOB, Slot Speed
0420	1933896	1	NUT, Hex Lock, Nylon Insert, 10-24
0430	1736836	1	SPEED LEVER
0440	727331	1	CABLE, Front Drive
0450	723154	1	BOOT, Spring End Cover

Footnotes:

Note* See your local hardware store for replacement bulbs

Note* See your local hardware store for replacement fuses.

Handles & Controls Group



Handles & Controls Group

Item	Part No	Qty	Description
0460	723259	1	BRACKET, Cable Adjusting
0470	1733509	1	ROD & SPRING ASSEMBLY
0480	2108360	2	SPRING, Compression
0490	1927429	4	SCREW, Hex Washer Head, Taptite, 1/4-20 x 5/8
0500	1931333	3	BOLT, Carriage, Short Neck, 5/16-18 x 3/4, G5
0510	1732064BM	1	COVER, Dash
0540	1738239	1	HARNESS, Wiring
0540-10	-----	1	* FUSE, Mini, 10 Amp
0520	2825094	5	TIE, Self Lock
0600	7091189	2	BOLT, Carriage, Curved Head, 5/16-18 x 2
0610	1917356	1	LOCKWASHER, Spring, 5/16
0620	7090391	2	WASHER, Internal Tooth, 5/16

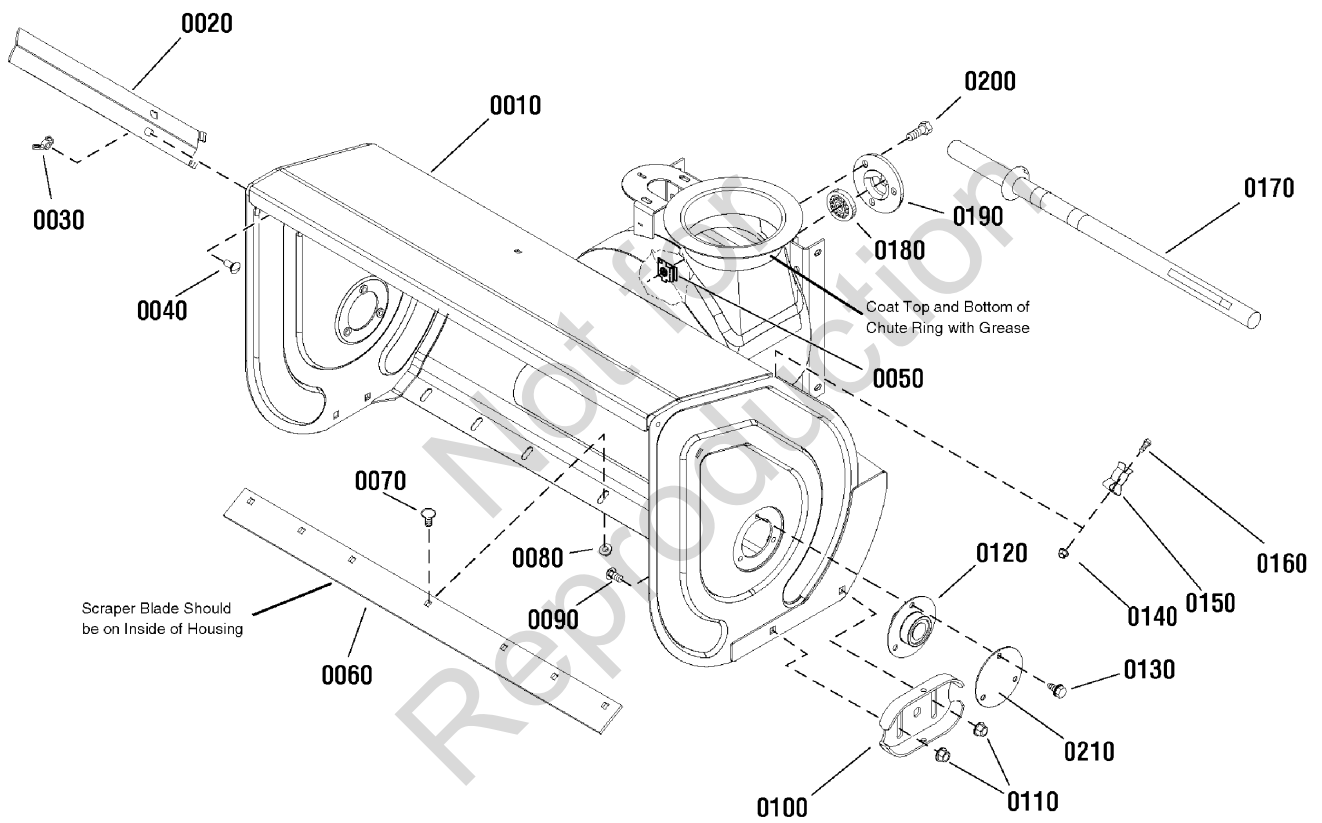
Not for
Reproduction

Footnotes:

Note* See your local hardware store for replacement bulbs

Note* See your local hardware store for replacement fuses.

Auger Housing Group - 28" & 30"

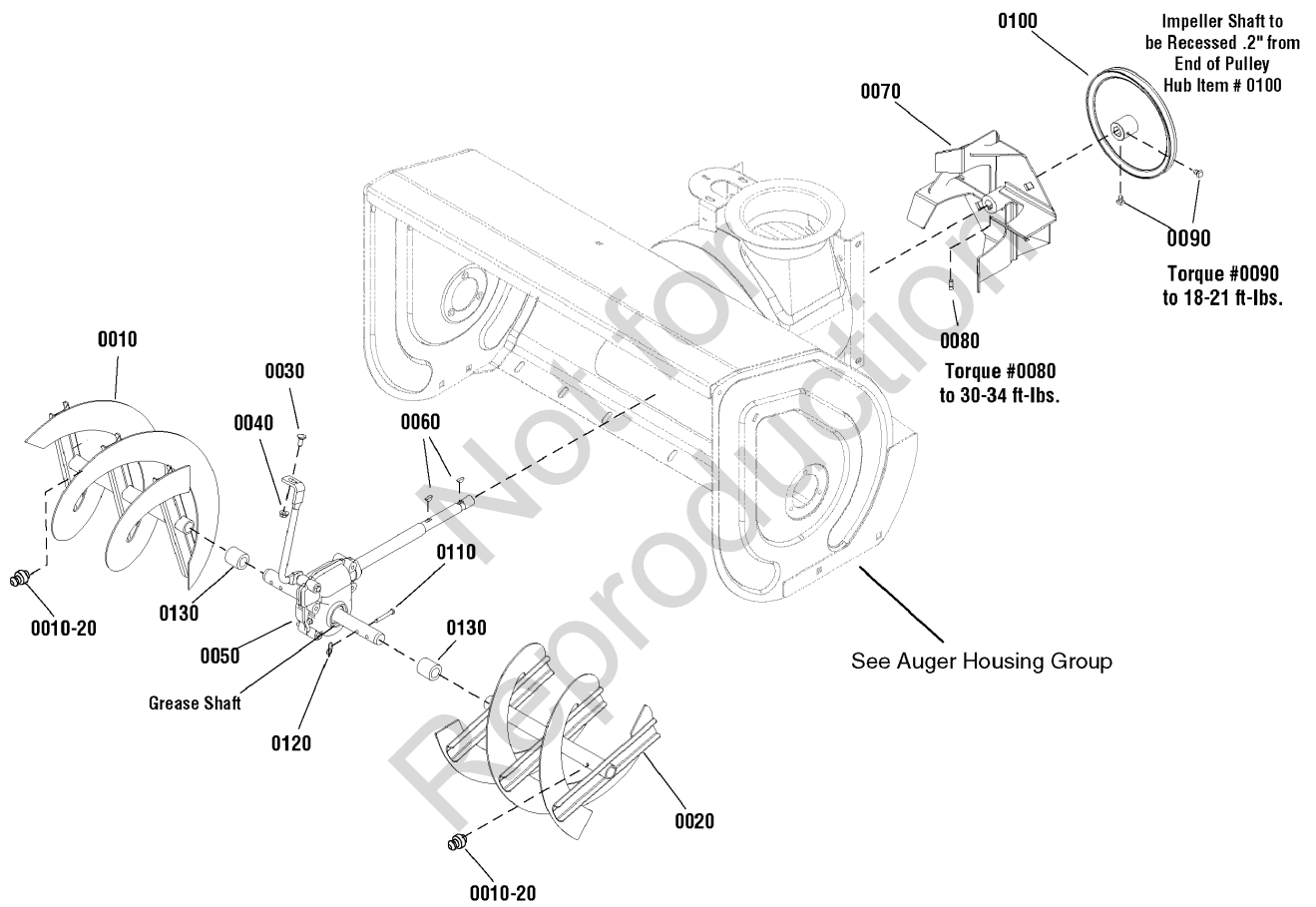


Auger Housing Group - 28" & 30"

Item	Part No	Qty	Description
0010	1751184D	1	AUGER HOUSING, 26"
0010	1738252D	1	AUGER HOUSING, 28"
0010	1738434D	1	AUGER HOUSING, 30"
0020	1733102BM	2	DRIFT CUTTER (CE/Export & 26" Domestic Models Only)
0030	725347	2	NUT, Wing, Serrated, 5/16-18 (CE/Export & 26" Domestic Models Only)
0040	723873	2	BOLT, Carriage, 5/16-18 x 3/4 (CE/Export & 26" Domestic Models Only)
0050	1930659	3	RETAINER, Nut, 5/16-18
0060	1732384BM	1	BLADE, Scraper, 26"
0060	1709947BM	1	BLADE, Scraper, 28"
0060	1732385BM	1	BLADE, Scraper, 30"
0070	1960699	7	BOLT, Carriage, 5/16-18 x 5/8, G5 (Qty 5 Used on 28")
0080	1935048	7	NUT, Hex Flange, Two Way Lock, 5/16-18 (Qty 5 Used on 28")
0090	1960711	4	BOLT, Carriage, 3/8-16 x 3/4, G5
0100	1727854BM	2	SKID SHOE
0110	1960687	4	NUT, Hex Flange, ESNA, 3/8-16
0120	1733103	2	BEARING, Flange
0120	724427	2	BEARING, Flange (CE Export Only)
0130	1931202	6	CAPSCREW, Hex Washer Head, Taptite, 5/16-18 x 1-1/4
0130	722839	6	CAPSCREW, Hex Washer Head, Taptite, 5/16-18 x 3/4 (CE Export Only)
0140	722401	2	NUT, Nylock, 10 x 24
0150	1736620	2	CLAMP
0160	1960569	2	SCREW, Truss Head Torx, #10-24 x 3/8
0170	1736094	1	BRUSH, Cleanout
0180	2108202	1	BEARING, Ball
0190	1665982	1	RETAINER, Bearing
0200	1960738	3	CAPSCREW, Hex Flange, Whiz Lock, 5/16-18 x 3/4
0210	1734932BM	2	COVER, Bushing

Footnotes:

Auger Drive Group - 28" & 30"



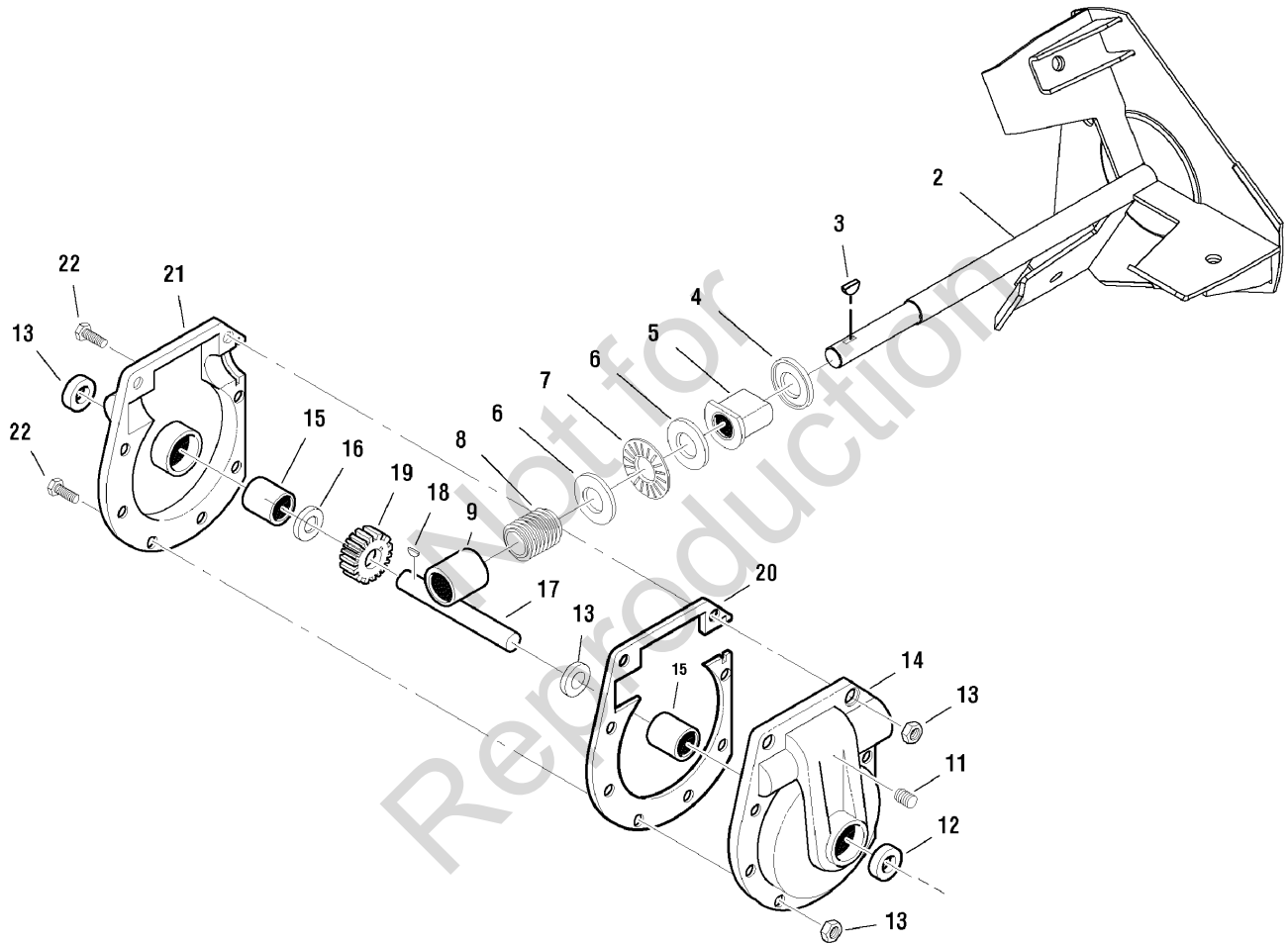
Auger Drive Group - 28" & 30"

Item	Part No	Qty	Description
0010	1737078BM	1	AUGER ASSEMBLY, RH (Includes Ref. No. 0010-20) (Use with 28" & 30" Auger Housing)
0010	1737082BM	1	AUGER ASSEMBLY, RH (Includes Ref. No. 0010-20) (Use with 26" Auger Housing)
0020	1737079BM	1	AUGER ASSEMBLY, LH (Includes Ref. No. 0010-20) (Use with 28" & 30" Auger Housing)
0020	1737083BM	1	AUGER ASSEMBLY, LH (Includes Ref. No. 0010-20) (Use with 26" Auger Housing)
0010-20	2821133	1	FITTING, Grease
0030	1931333	1	BOLT, Carriage, 5/16-18 x 3/4, G5
0040	1931277	1	NUT, Hex Flange, Whiz Lock, 5/16-18
0050	1732303	1	GEAR BOX ASSEMBLY
0060	2818312	2	KEY, Woodruff
0070	1612187BM	1	IMPELLER
0080	1960474	1	SCREW, Set, Square Head Cup Point, 3/8-16 x 1/2, G8
0090	1928721	2	SCREW, Set, Square Head, Cup Point, 5/16-18 x 1/2, G8
0100	1732185	1	PULLEY
0110	1668344	2	PIN, Shear, 1-3/4 (Use with 26" Auger Housing)
0110	1739295	2	PIN, Shear, 1-3/4
0120	1739292	2	PIN, Cotter, Bow Tie, 3/16
0120	7023590	2	PIN, Cotter, Bow Tie, 1/4 (Use with 26" Auger Housing)
0130	1733406	2	SPACER, Auger (Use with 26" & 30" Auger Housing)

Not for
Reproduction

Footnotes:

Gear Case Assembly - 26" Med. Duty



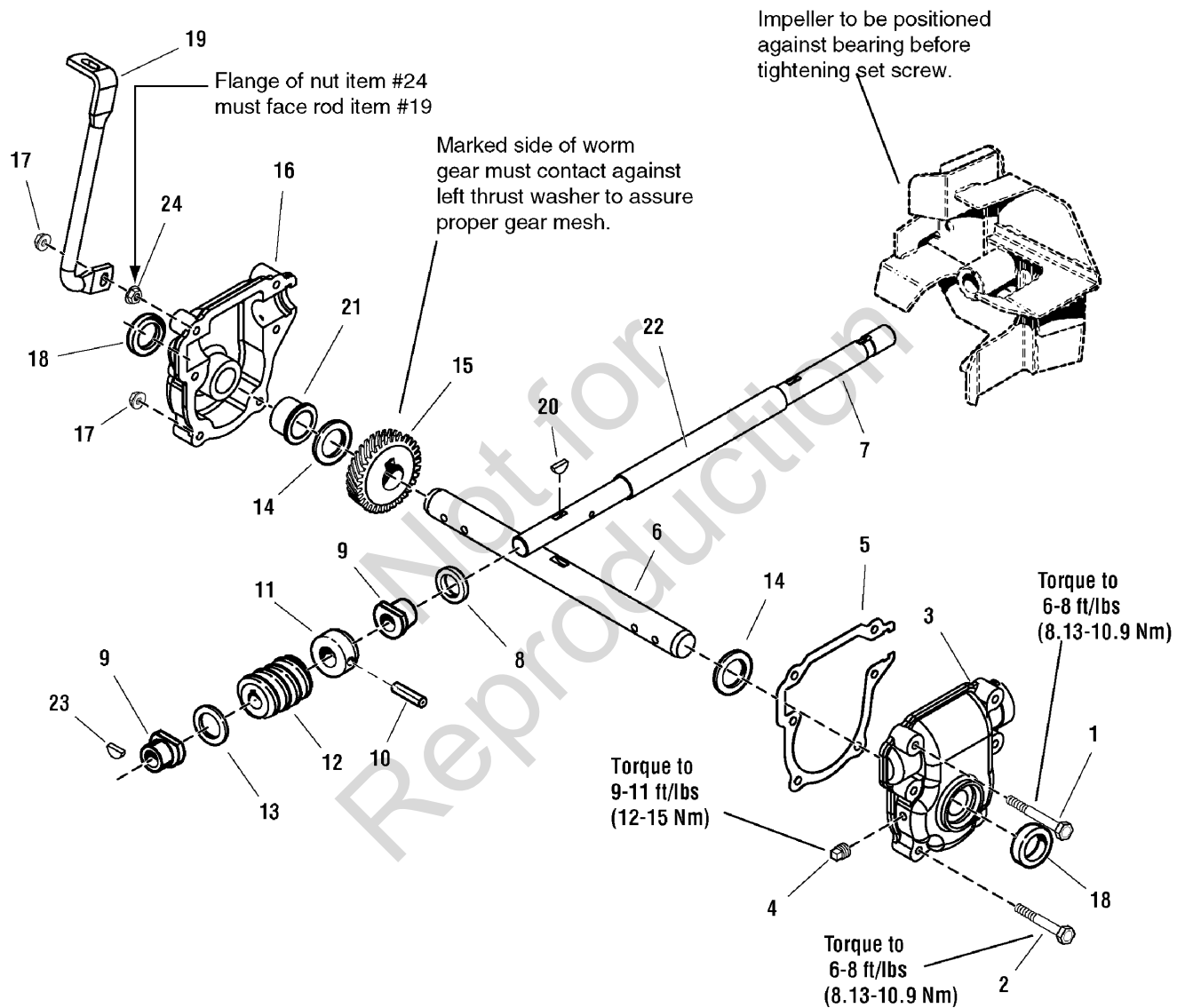
Gear Case Assembly - 26" Med. Duty

Item	Part No	Qty	Description
2	1736709A	1	IMPELLER ASSEMBLY
3	724366	1	KEY
4	724423	1	RING
5	724729	1	BEARING, Flange, 3/4 x 1-1/8
6	724079	2	WASHER, 3/4 x 1-1/4
7	724352	1	BEARING, Roller, 3/4 x 1-1/4
8	724421	1	ROLLED WORM CASE
9	724420	1	SLEEVE, Brearing, 3/4 x 7/8
11	724426	1	PLUG, Pipe, 1/4-18
12	725874	2	SEAL, Oil
13	725338	8	NUT, Hex-Flange, Locking, 5/16-24
14	725981	1	GEAR CASE, L.H.
15	724424	2	SLEEVE, Bearing
16	2168111	1	THRUST WASHER, 1 x 1.54
17	1736711	1	SHAFT, Auger Output
18	725433	1	KEY, Woodruff, 1-3/4 x 1/4
19	724419	1	GEAR, Worm
20	725983	1	GASKET, Gearbox
21	725982	1	GEAR CASE, R.H.
22	725996	7	CAPSCREW, Hex, 5/16 - 24 x 1

Not for
Reproduction

Footnotes:

Gear Case Assembly - Heavy Duty



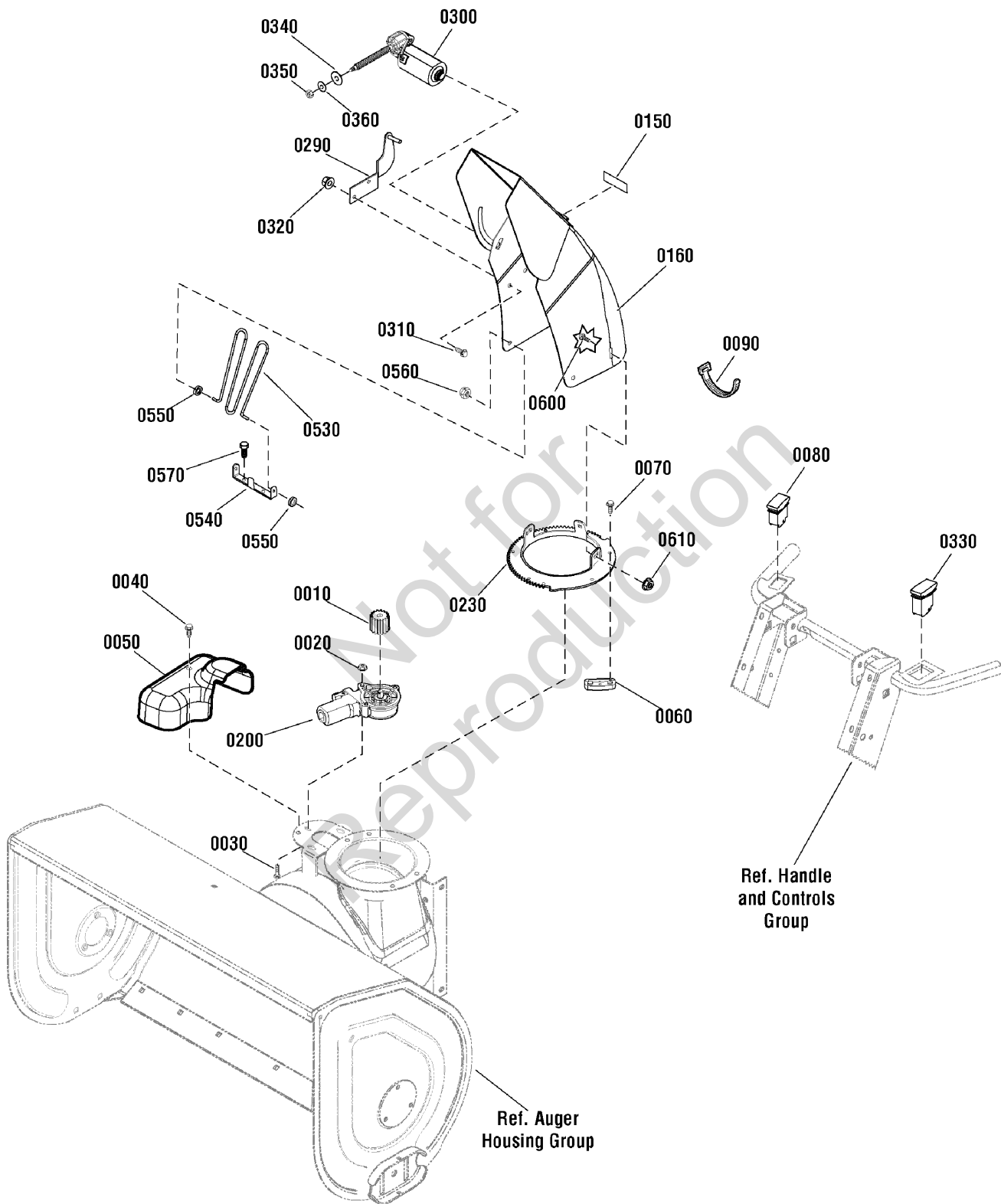
Gear Case Assembly - Heavy Duty

Item	Part No	Qty	Description
1	1926105	1	CAPSCREW, 1/4-20 x 2-3/4
2	1960346	5	CAPSCREW, 1/4-20 x 2-1/4
3	1734218	1	GEAR CASE, L.H.
4	1668971	1	TAPERED PIPE PLUG
5	1612124	1	GASKET
6	1732440	1	SHAFT, Auger Cutoff
7	1732182	1	SHAFT, Worm Cutoff
8	1612093	1	SEAL, Oil
9	1612149	2	FLANGE BUSHING
10	2836098	1	PIN, Drive Lock
11	1612127	1	THRUST COLLAR
12	1612142	1	ROLLED WORM CASE
13	2168111	1	THRUST WASHER
14	2118315	2	THRUST WASHER
15	1612141	1	GEAR, Worm
16	1734219	1	GEAR CASE, R.H.
17	1930642	6	NUT, Top Lock Flange, 1/4-20
18	2118118	1	SEAL
19	1732152	1	WIREFORM BRACKET
20	2818312	1	KEY, Woodruff, .18 x .62
21	1732991	2	BUSHING
22	1612111	1	TUBE
23	2830246	1	KEY, Woodruff, 1/4 x 3/4
24	1960294	1	NUT, Hex-Flange, 1/4-20

Not for
Reproduction

Footnotes:

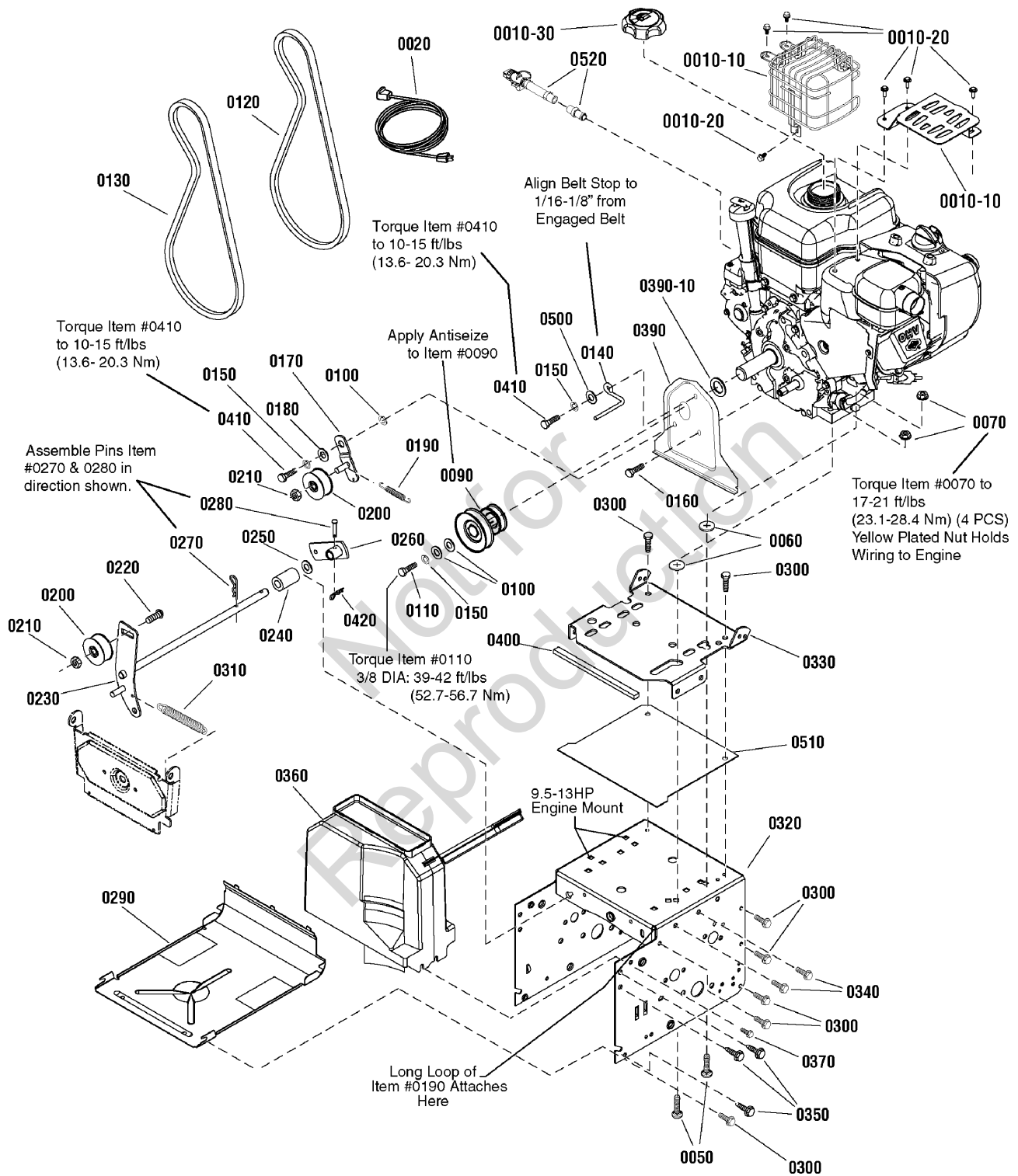
Chute & Rotation Group - Electric



Chute & Rotation Group - Electric

Item	Part No	Qty	Description
0010	1728967	1	PINION
0020	1960745	3	NUT, Hex Flange, Whiz Lock, #10-24
0030	2860604	3	SCREW, Hex Washer Head, Slot, #10C x 1-1/4
0040	1925592	1	SCREW, Hex Washer Head, Taptite, 1/4-20 x 3/4
0050	1737455	1	COVER, Electric Chute Rotation
0060	7011938	3	RETAINER, Spout
0070	1960001	6	SCREW, Hex Washer Head, Plastite, 10-14 x 5/8
0080	1738243	1	SWITCH, Chute Rotation
0090	2825094	1	TIE, Self Locking
0150	1733601	2	DECAL, Hinge
0160	1738231H	1	CHUTE
0200	1728965	1	MOTOR, Spout Rotator
0230	1737962BM	1	GEAR, Chute
0290	1738267BM	1	BRACKET, Weld Stud
0300	1737941	1	MOTOR, Chute Deflector
0310	1960715	2	SCREW, Truss Head Torx, 1/4-20 x 3/4
0320	1960694	2	NUT, Hex Flange, ESNA, 1/4-20
0330	1738242	1	SWITCH, Deflector Control
0340	1738244	1	WASHER, Rubber
0350	1738245	1	NUT, 1/4-20 LH Thread Nylon Patched
0360	5025154	1	WASHER, 1/4 SAE
0530	1733475	1	GUARD, Chute (C/E Export Only)
0540	1737683	1	BRACKET, Chute Guard (C/E Export Only)
0550	1738174	2	GROMMET, Chute Guard Bracket (C/E Export Only)
0560	1960140	2	NUT, Push, For 3/16 Stud (C/E Export Only)
0570	1925003	2	SCREW, Hex Washer Head, Taptite, 1/4-20 x 1/2 (C/E Export Only)
0600	2860694	3	BOLT, Carriage, Short Neck, 1/4-20 x 3/4, G5
0610	2820263	3	NUT, Hex Flange, ESNA, 1/4-20

Footnotes:

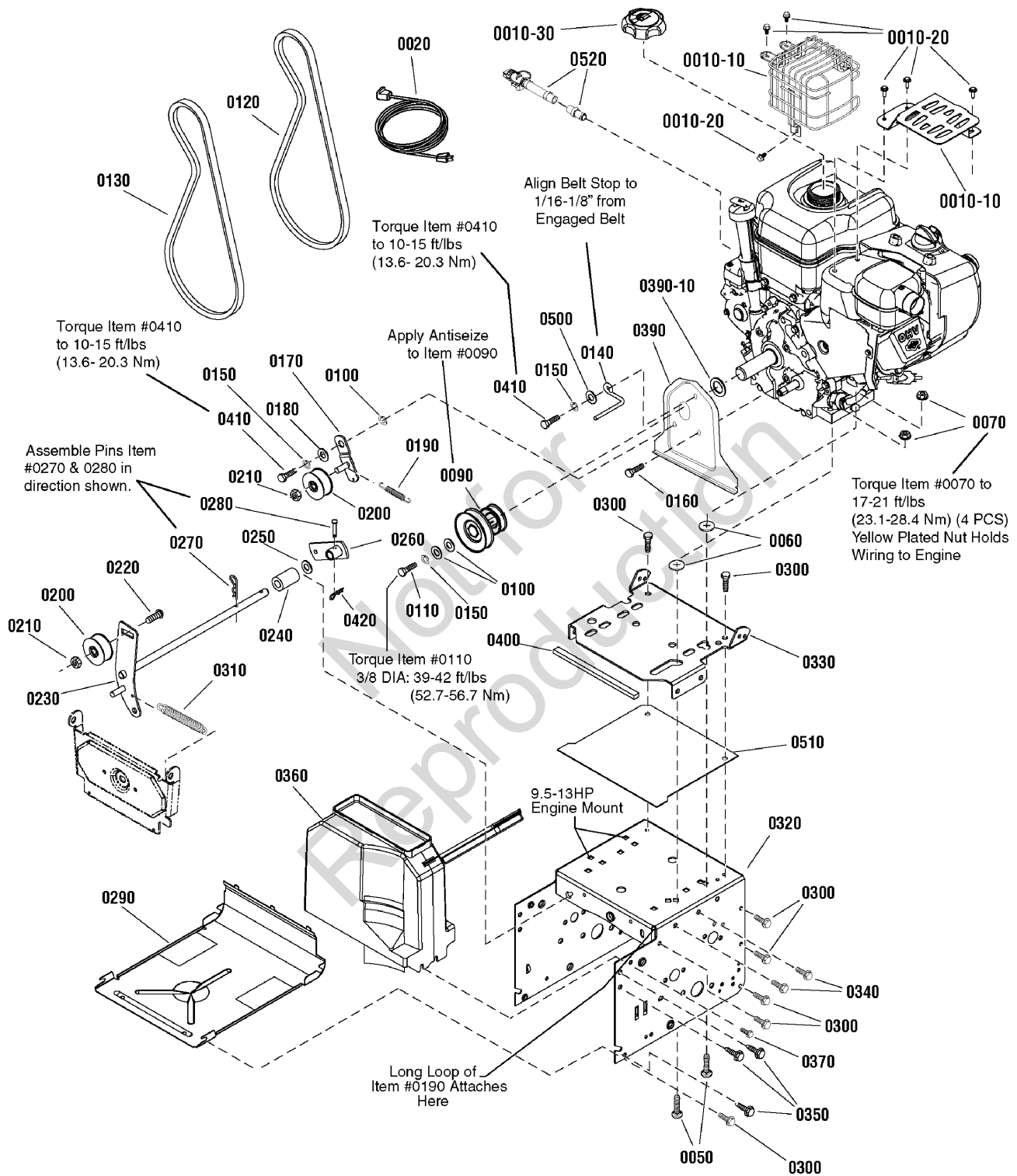


Engine & Frame Group - 11.5TP

Item	Part No	Qty	Description
0010	15C114-0131-E8	1	* ENGINE, 11.5TP Briggs & Stratton (Engine Model: 15C114-0131-E8) (Domestic Models Only)
0010	15C114-0123-E8	1	* ENGINE, 11.5TP Briggs & Stratton (Engine Model: 15C114-0123-E8) (CE/Export Models Only)
0010-10	797003	1	* GUARD, Muffler, Plate (Domestic Models Only)
0010-10	793193	1	* GUARD, Muffler, Cage (Export Models Only)
0010-20	699854	1	* SCREW, Muffler Guard
0010-30	795027	1	* CAP, Fuel
0020	724865	1	CORD, 10FT, 110V (Domestic Models Only)
0050	720064	4	BOLT, Carriage, 5/16-18 x 1-1/2
0060	720376	4	NUT, Push, For 1/4 Stud
0070	1739305	4	NUT, Hex Flange, ESNA, 5/16-18
0090	722085	1	PULLEY
0100	1919381	3	WASHER, 5/16
0110	1921982	1	CAPSCREW, Hex Head, 5/16-24 x 1-1/4, G5
0120	1733324	1	V-BELT, Drive, 3L 33.13
0130	1736421	1	V-BELT, 4L, 38.35, Auger
0140	1739070	1	BELT GUIDE
0150	1917356	4	LOCKWASHER, Spring, 5/16
0160	1921515	1	CAPSCREW, Hex Head, 5/16-24 x 3/4, G5
0170	722090	1	BRACKET, Idler
0180	722072	1	BUSHING, Idler Bracket
0190	722457	1	SPRING, Extension, Idler
0200	722378	2	IDLER, Plastic Ball Bearing
0210	1960251	2	NUT, Hex Center Lock Jam, 3/8-16
0220	724823	1	BOLT, Carriage, Short Neck, 3/8-16 x 1-1/4, G5
0230	722132	1	AUGER IDLER
0240	722118	1	SPACER, 1/2 ID x 1 OD x 1-3/4"
0250	1960027	1	WASHER, 1/2
0260	1733451	1	ARM, Control
0270	725367	1	PIN, Hair
0280	1736381	1	PIN, Clevis
0290	1740906BM	1	PANEL, Bottom
0300	1927429	12	CAPSCREW, Hex Washer Head, Taptite, 1/4-20 x 5/8
0310	722455	1	SPRING, Extension, Auger
0320	1739311D	1	FRAME (Domestic Models Only)
0320	1740572D	1	FRAME (Export Models Only)
0330	1733583D	1	PLATE, Engine Mount
0340	722838	4	CAPSCREW, Hex Washer Head, 5/16-18 x 1/2
0350	1664847	6	CAPSCREW, Hex Washer Head, Taptite, 5/16-18 x 3/4
0360	1733923	1	BELT COVER ASSEMBLY
0370	722887	2	SCREW, Hex Washer Head, Tapping, SEMS, 1/4 x 3/4
0390	1750157	1	WATER SHIELD ASSEMBLY (Includes Ref. No. 0390-10) (Domestic Only)
0390	1750241	1	WATER SHIELD ASSEMBLY (Includes Ref. No. 0390-10) (Export Only)
0390-10	1733898	1	SEAL, Foam (Export Only)
0390-10	1750185	1	SEAL, Shaft (Domestic Only)

Footnotes:

NOTE: * Purchase engine parts from engine manufacturer dealer.



Engine & Frame Group - 11.5TP

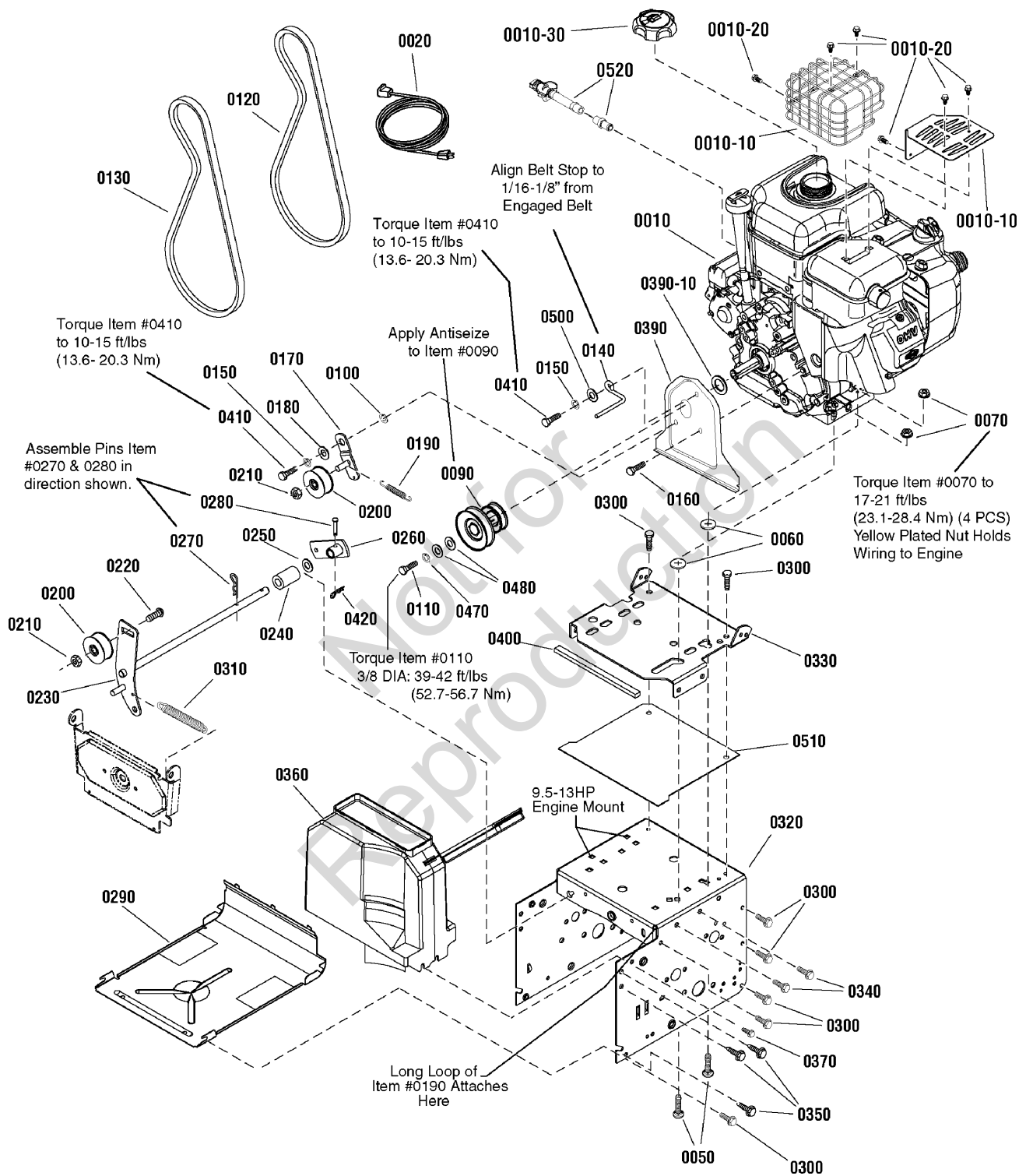
Item	Part No	Qty	Description
0400	1750172	1	SEAL, Strip
0410	725996	2	CAPSCREW, Hex, 5/16-24 x 1
0420	7023590	1	PIN, Cotter, Self Lock, 1/4
0500	7091528	1	WASHER, Flat, 3/8
0510	1750135	1	SEAL, Engine Plate
0520	798980	1	* OIL DRAIN ASSEMBLY (Optional Accessory)

Not for
Reproduction

Footnotes:

NOTE: * Purchase engine parts from engine manufacturer dealer.

Engine & Frame Group - 14.5TP & 16.5TP



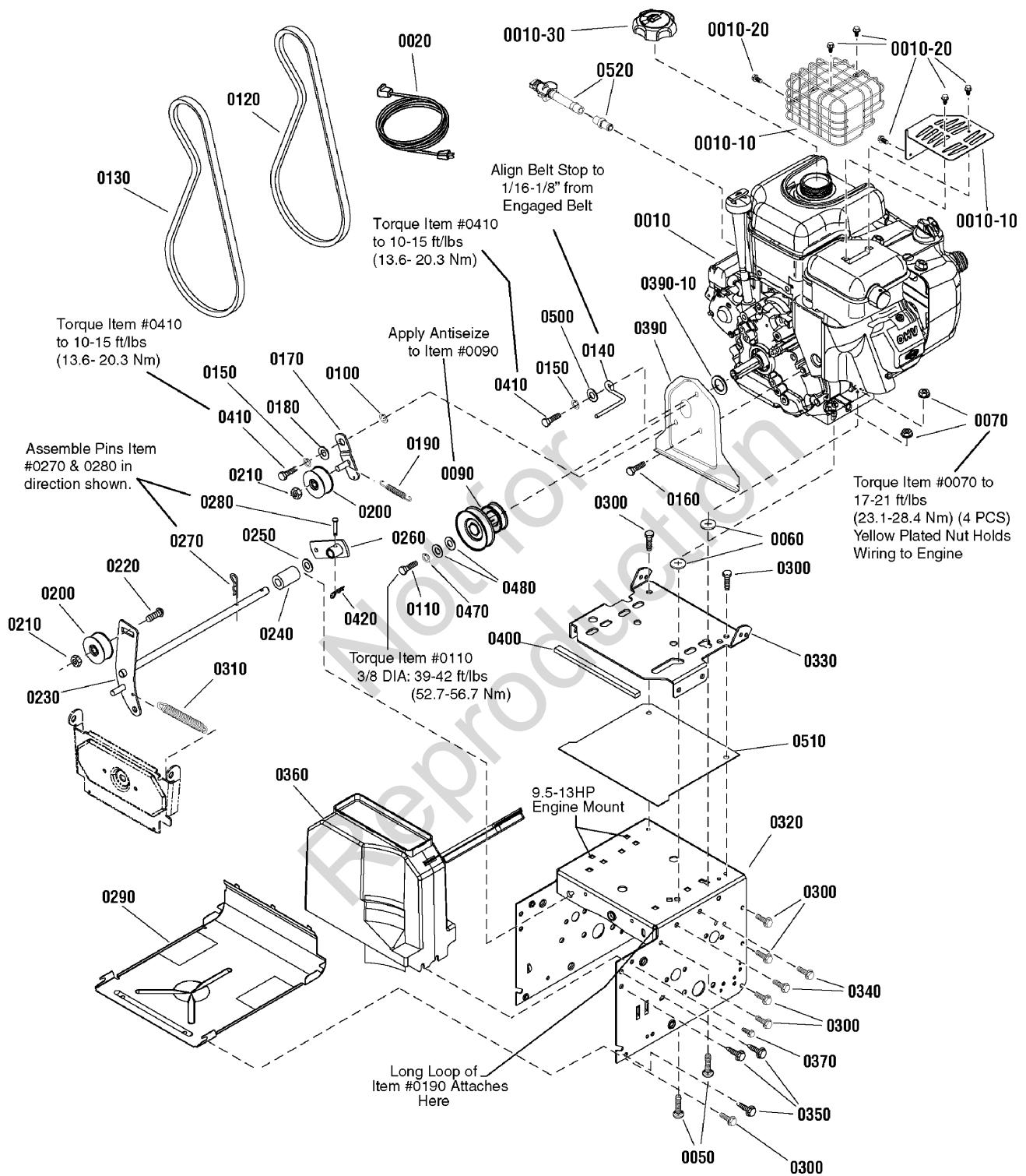
Engine & Frame Group - 14.5TP & 16.5TP

Item	Part No	Qty	Description
0010	20M314-0131-E1	1	* ENGINE, 14.5TP Briggs & Stratton (Engine Model: 20M314-0131-E1) (Export Models Only)
0010	21M314-0119-E1	1	* ENGINE, 16.5TP Briggs & Stratton (Engine Model: 21M314-0119-E1) (Domestic Models Only)
0010	20M314-0130-E1	1	* ENGINE, 14.5TP Briggs & Stratton (Engine Model: 20M314-0130-E1) (Domestic Models Only)
0010	21M314-0122-E1	1	* ENGINE, 16.5TP Briggs & Stratton (Engine Model: 21M314-0122-E1) (Export Models Only)
0010-10	797095	1	* GUARD, Muffler, Plate (Domestic Models Only)
0010-10	796384	1	* GUARD, Muffler, Cage (Export Models Only)
0010-20	794806	3	* CAPSCREW, Hex Washer Head, Muffler Guard
0010-30	795027	1	* CAP, Fuel
0020	724865	1	CORD, Electric (Domestic Models Only)
0050	720064	4	BOLT, Carriage, 5/16-18 x 1-1/2
0060	720376	4	NUT, Push, For 1/4 Stud
0070	1739305	4	NUT, Hex Flange, ESNA, 5/16-18
0090	722085	1	PULLEY
0100	1919381	1	WASHER, 5/16
0110	1960428	1	CAPSCREW, Hex Head, 3/8-24 x 1-1/4, G8
0120	1733324	1	V-BELT, Traction Drive, 3L, 33.13
0130	1736421	1	V-BELT, 4L, 38.35, Auger
0140	1739070	1	BELT GUIDE
0150	1917356	3	LOCKWASHER, Spring, 5/16
0160	1921515	1	CAPSCREW, Hex Head, 5/16-24 x 3/4, G5
0170	722090	1	IDLER BRACKET
0180	722072	1	BUSHING, Idler Bracket
0190	724418	1	SPRING, Extension, Idler
0200	722378	2	IDLER, Plastic Ball Bearing
0210	1960251	2	NUT, Hex Centerlock Jam, 3/8-16
0220	724823	1	BOLT, Carriage, Short Neck 3/8-16 x 1-1/4, G5
0230	722132	1	AUGER IDLER
0240	722118	1	SPACER, 1/2 ID x 1 OD x 1-3/4"
0250	1960027	1	WASHER, 1/2
0260	1733451	1	ARM, Control
0270	725367	1	PIN, Hair
0280	1736381	1	PIN, Clevis
0290	1740906BM	1	PANEL, Bottom
0300	1927429	12	SCREW, Hex Washer Head, Taptite, 1/4-20 x 5/8
0310	722455	1	SPRING, Extension, Auger
0320	1733154D	1	FRAME
0330	1733583D	1	PLATE, Engine Mount
0340	722838	4	CAPSCREW, Hex Washer Head, 5/16-18 x 1/2
0350	1664847	6	CAPSCREW, Hex Washer Head, Taptite, 5/16-18 x 3/4
0360	1733923	1	BELT COVER ASSEMBLY
0370	722887	2	SCREW, Hex Washer Head, Tapping, SEMS 1/4 x 3/4
0390	1750157	1	WATER SHIELD ASSEMBLY (Includes Ref. No. 0390-10)
0390-10	1733868BM	1	PLATE, Seal
0020	1750185	1	SEAL, Shaft

Footnotes:

NOTE: * Purchase engine parts from engine manufacturer dealer.

Engine & Frame Group - 14.5TP & 16.5TP



Engine & Frame Group - 14.5TP & 16.5TP

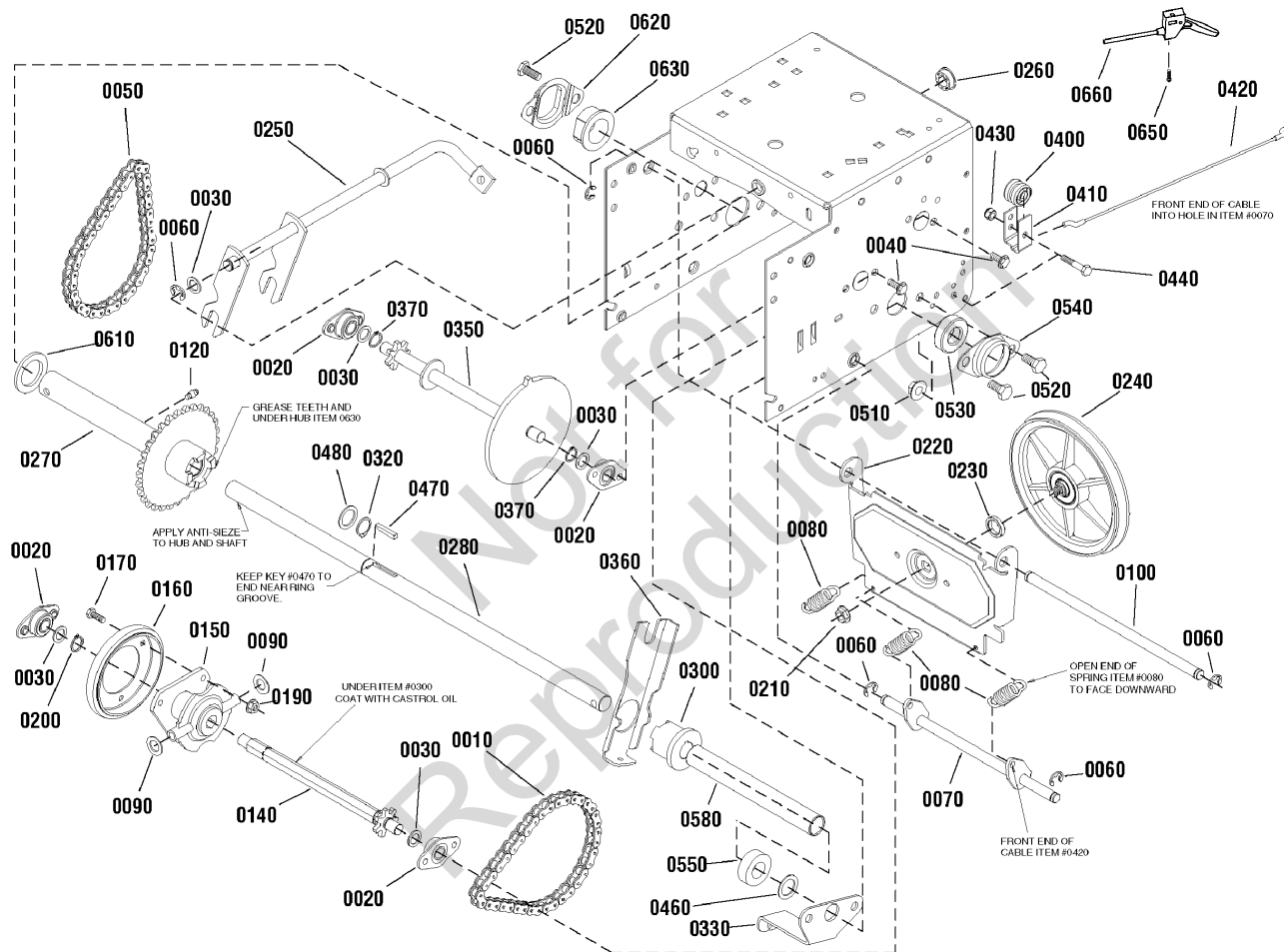
Item	Part No	Qty	Description
0400	1750172	1	SEAL, Strip
0410	725996	2	CAPSCREW, Hex, 5/16-24 x 1
0420	7023590	1	PIN, Cotter, Self Locking 1/4
0470	1916965	1	LOCKWASHER, Spring, 3/8 (Used on 14.5TP Models)
0470	1916955	1	WASHER, 3/16 (Used on 16.5TP Models)
0480	1922755	2	WASHER, 3/8
0500	7091528	1	WASHER, Flat, 3/8
0510	1750134	1	SEAL, Engine Plate
0520	798980	1	* OIL DRAIN ASSEMBLY (Optional Accessory)

Not for
Reproduction

Footnotes:

NOTE: * Purchase engine parts from engine manufacturer dealer.

Traction Drive Group - Easy Turn

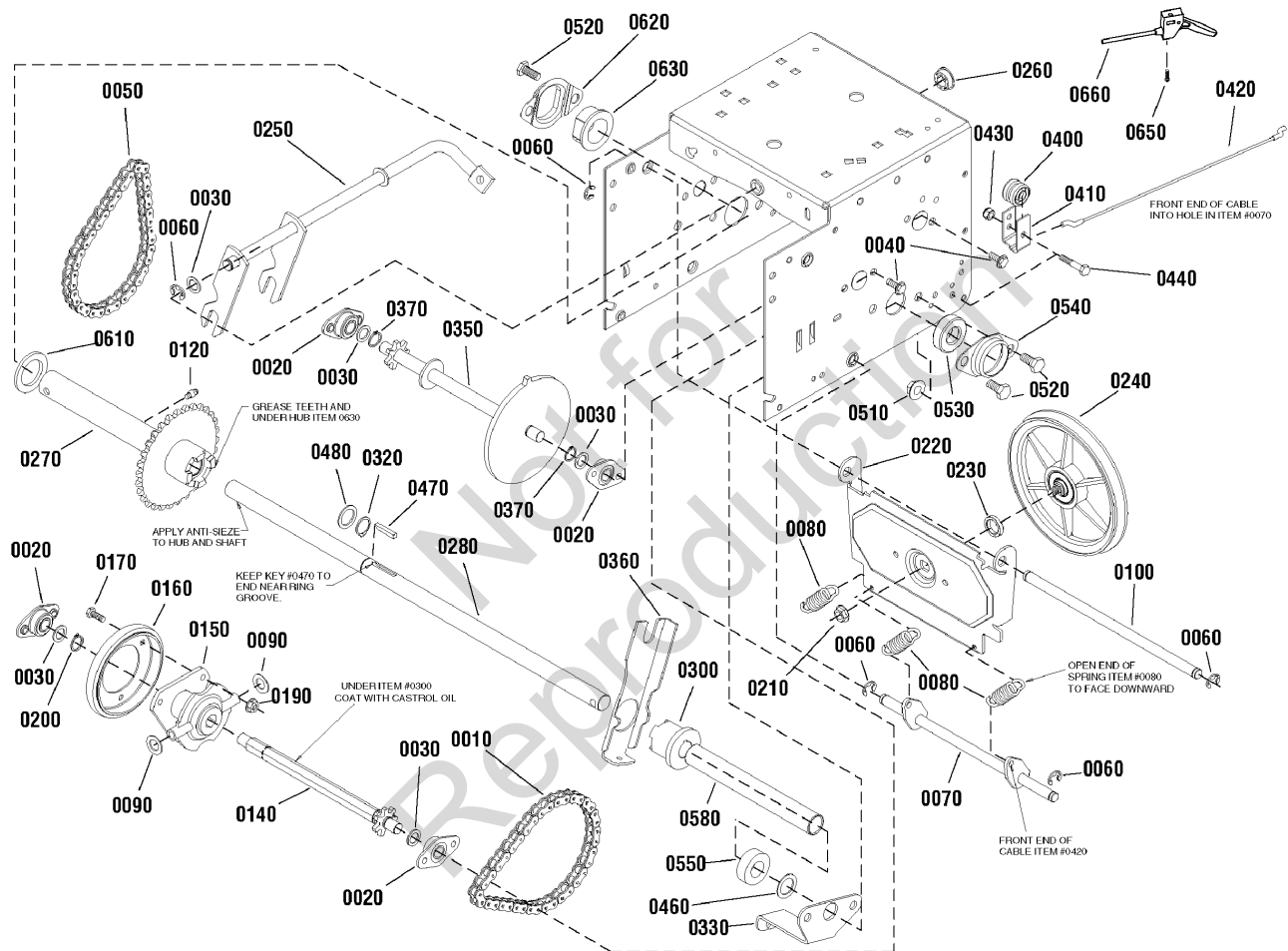


Traction Drive Group - Easy Turn

Item	Part No	Qty	Description
0010	724613	1	CHAIN, Roller 420 x 19 Lg
0020	723655	4	RETAINER & BUSHING ASSEMBLY
0030	724619	5	WASHER, Flat, 1/2
0040	1924856	8	CAPSCREW, Hex WasherHead, 5/16-18 x 1/2
0050	724627	1	CHAIN, Roller 420 X 18 Lg
0060	721910	5	RETAINER, Ring, 7/16
0070	722377	1	SPRING LINK ASSEMBLY
0080	1736469	3	SPRING, Extension
0090	1960027	2	WASHER, 1/2
0100	722082	1	AXLE, Swing Plate, 7/16 Dia., 10-1/2 Lg
0120	2812808	1	FITTING, Lube, 1/4-28
0140	722083	1	HEX SHAFT & SPROCKET ASSEMBLY
0150	723694	1	HUB, Friction Wheel & Bearing
0160	722185	1	WHEEL, Friction
0170	1921959	3	CAPSCREW, Hex Head, 1/4-20 x 5/8, G5
0190	1928372	3	NUT, Hex, 1/4-20
0200	1733326	1	RING, Retaining, # 63
0210	722391	1	NUT, Flange-Lock, 3/8-24
0220	722069	1	PLATE, Swinging
0230	722110	1	SPACER, Friction Pulley
0240	722092	1	FRICITION PULLEY ASSEMBLY
0250	722087	1	SPEED SELECTOR ASSEMBLY
0260	724636	1	BEARING, Flange, 1/2 ID x 7/8 OD
0270	1733085	1	SPROCKET & HUB ASSEMBLY
0280	1732381	1	AXLE, 3/4 Dia., 22-3/4 Lg
0300	1732382	1	GEAR, Clutching 3/4 ID 17/8 OD, 1-1/2 Lg
0320	2827732	1	RING, Retaining, # 74, 3/4 Dia.
0330	1732948A	1	SUPPORT, Cable
0350	1732389	1	SPROCKET & SHAFT ASSEMBLY
0360	1732383A	1	ARM, Clutch
0370	2860386	2	RING, Retaining, # 50, 1/2 Dia.
0400	724621	1	SPOOL CABLE, Auger Control
0410	722070	1	BRACKET, Cable Spool
0420	722095	1	CABLE, Front Drive, Lower
0430	1920397	1	NUT, Hex-Lock, 1/4-20
0440	1922837	1	CAPSCREW, Hex Head, 1/4-20 x 1-1/2, G5
0460	725394	1	WASHER, Flat, 3/4
0470	1667622	1	KEY, 1-9/64
0480	1960114	1	WASHER, 3/4
0510	1928352	4	NUT, Hex Flange, Locking, 3/8-16
0520	1921965	4	CAPSCREW, Hex Head, 3/8-16 x 3/4, G5
0530	724409	1	BEARING, Ball, 3/4 ID x 1-5/8 OD
0540	1736396	1	RETAINER, Bearing, Flanged
0550	722228	1	COLLAR, Locking

Footnotes:

Traction Drive Group - Easy Turn

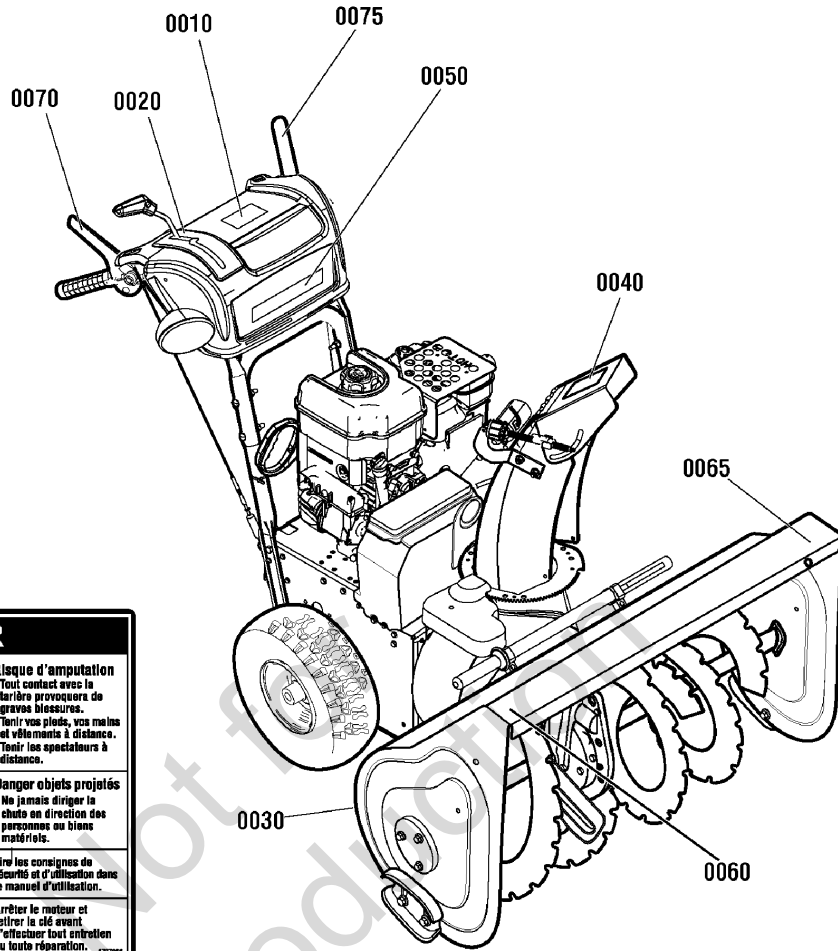


Traction Drive Group - Easy Turn

Item	Part No	Qty	Description
0580	1720298	1	SPRING, Compression
0610	2860169	1	WASHER, 3/16
0620	1733101	1	RETAINER, Bushing
0630	1720305	1	BUSHING, 5/32
0650	1725702	1	SCREW, Pan Head, #10 x 1/2
0660	1718791	1	CABLE & HANDLE ASSEMBLY

Not for
Reproduction

Footnotes:



⚠ DANGER	
Amputation Hazard • Contact with auger will cause serious injury. • Keep hands, feet and clothing away. • Keep bystanders away.	
Thrown Objects Hazard • Never direct discharge chute towards persons or property.	
Read the operator's manual for operating and safety instructions.	
Shut off engine and remove key before performing maintenance or repair work.	
Risque d'amputation • Tout contact avec la tarière provoquera de graves blessures. • Tenez vos pieds, vos mains et vêtements à distance. • Tenez les spectateurs à distance.	
Danger objets projetés • Ne jamais diriger la chute ou direction des personnes ou biens matériels.	
Lire les consignes de sécurité et d'utilisation dans le manuel d'utilisation.	
Arrêter le moteur et retirer la clé avant d'effectuer tout entretien ou toute réparation.	

This model for this engine complies with the Canadian standard C228-001. Ce modèle d'attelage pour déneigement se conforme à la norme A90-002 du Canada. 1727966

0030



0050



0065

⚠ DANGER	
Amputation hazard Contact with moving parts inside chute will cause serious injury. • Shut off engine before unclogging discharge chute. • Use clean-out tool, not hands!	
Risque d'amputation Tout contact avec des pièces en mouvement à l'intérieur de la goulotte provoquera de graves blessures. • Arrêter le moteur avant de dégager la goulotte d'éjection. • Utiliser l'outil de dégagement, pas les mains!	

1727967

0040



0020



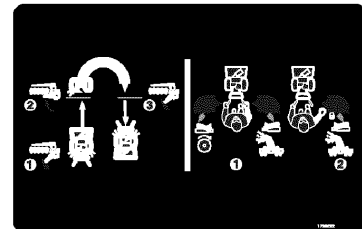
0070



0075



0060



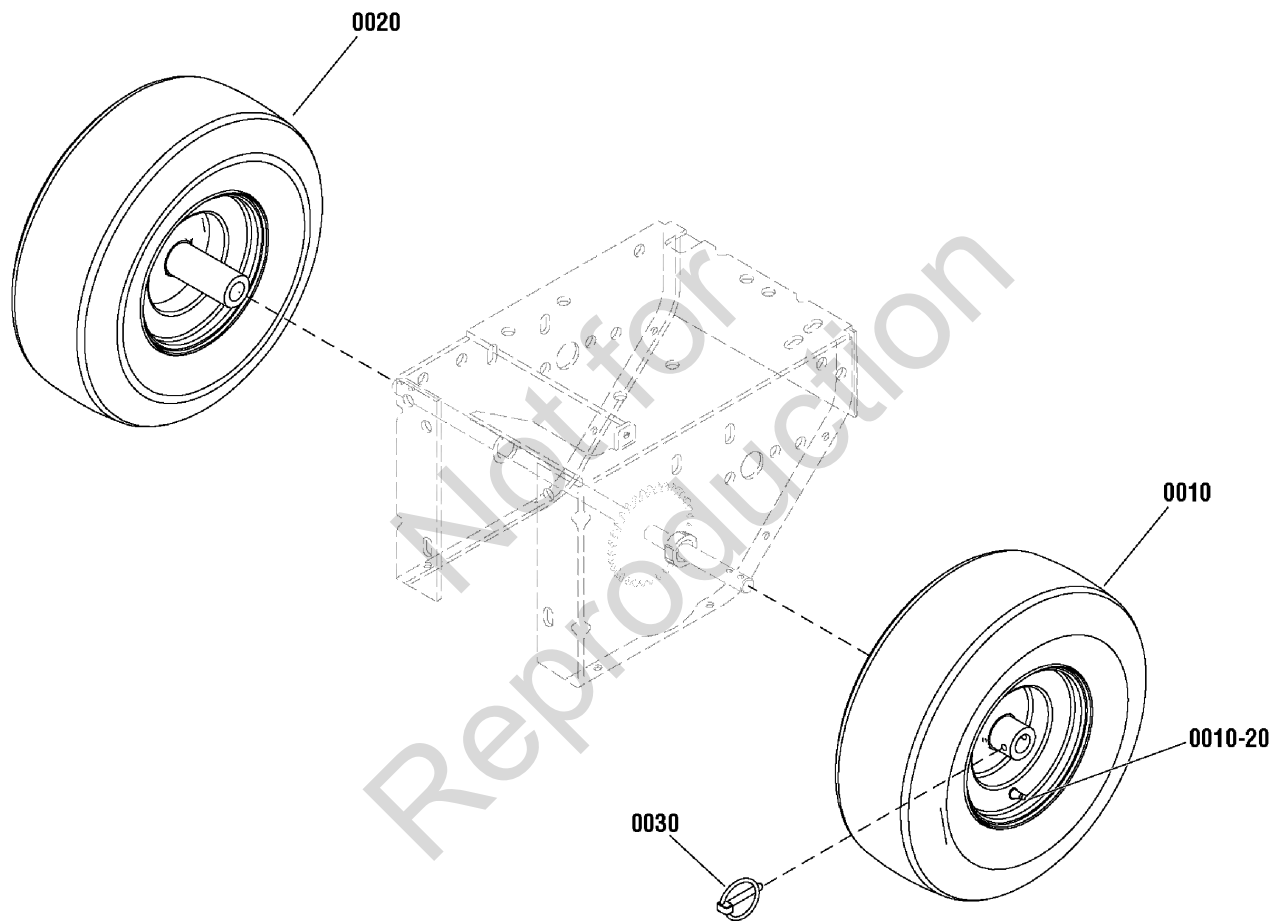
0010

Decals Group

Item	Part No	Qty	Description
0010	1738282	1	DECAL, Dash Operation
0020	1733772	1	DECAL, Shift, 1,2,3,4,5,6 R1 R2
0030	1737866	1	DECAL, Danger Auger Icons (Domestic Models Only)
0030	1737867	1	DECAL, Danger Auger Icons (CE/Export Models Only)
0040	1737865	1	DECAL, Chute Warning, FR/ENG (Domestic Models Only)
0040	1727207	1	DECAL, Chute Warning (CE/Export Models Only)
0050	1750411	1	DECAL, Logo
0060	1750419	1	DECAL, Housing, 26" (Domestic Models Only)
0060	1750413	1	DECAL, Housing, 28" (Domestic Models Only)
0060	1750418	1	DECAL, Housing, 28" (CE/Export Models Only)
0060	1750414	1	DECAL, Housing, 30" (Domestic Models Only)
0060	1750419	1	DECAL, Housing, 30" (CE/Export Models Only)
0065	1750913	1	DECAL, Logo
0070	1737869	1	DECAL, Auger Control Symbols
0075	1737870	1	DECAL, Traction Control Symbols

Not for
Reproduction

Footnotes:



Wheels & Tires Group

Item	Part No	Qty	Description
0010	1738361	1	WHEEL & TIRE ASSEMBLY, Artic Trac, 4.80, LH (Includes Ref. No. 0010-20) (Use with 28" Auger Housing)
0010	1738363	1	WHEEL & TIRE ASSEMBLY, 6.5, LH (Includes Ref. No. 0010-20) (Use with 30" Auger Housing)
0020	1738360	1	WHEEL & TIRE ASSEMBLY, Artic Trac, 4.80, RH (Includes Ref. No. 0010-20) (Use with 28" Auger Housing)
0020	1738362	1	WHEEL & TIRE ASSEMBLY, 6.5, RH (Includes Ref. No. 0010-20) (Use with 30" Auger Housing)
0010-20	2172353	2	VALVE STEM & CAP
0030	1731186	2	PIN, Klik

Not for
Reproduction

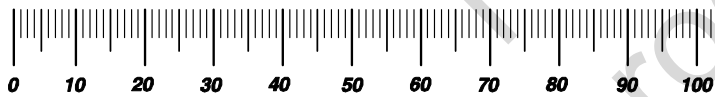
Footnotes:

Not for
Reproduction

Hardware Identification & Torque Specifications

Torque Specification Chart FOR STANDARD METRIC MACHINE HARDWARE (Tolerance ± 20%)								
Property Class	5.6 Class 5.6		8.8 Class 8.8		10.9 Class 10.9		12.9 Class 12.9	
	in/lbs ft/lbs	Nm.	in/lbs ft/lbs	Nm.	in/lbs ft/lbs	Nm.	in/lbs ft/lbs	Nm.
M3	5.88	.56	13.44	1.28	19.2	1.80	22.92	2.15
M4	13.44	1.28	30.72	2.90	43.44	4.10	52.56	4.95
M5	26.4	2.50	60.96	5.75	5.97	8.10	7.15	9.7
M6	44.64	4.3	7.3	9.9	10.3	14	12.1	16.5
M7	5.2	7.1	12.1	16.5	16.9	23	19.9	27
M8	7.7	10.5	17.7	24	25	34	29	40
M10	15	21	35	48	50	67	59	81
M12	26	36	61	83	86.2	117	103	140
M14	42	58	101	132	136	185	162	220
M16	64	88	147	200	210	285	250	340
M18	89	121	202	275	287	390	346	470
M20	126	171	290	390	405	550	486	660
M22	169	230	390	530	559	745	656	890
M24	217	295	497	375	708	960	840	1140
M27	320	435	733	995	1032	1400	1239	1680
M30	435	590	995	1350	1401	1900	1681	2280
M33	590	800	1349	1830	1902	2580	2278	3090
M36	759	1030	1740	2360	2441	3310	2935	3980
M39	988	1340	2249	3050	3163	4290	3798	5150

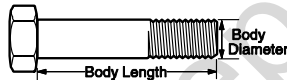
The guides and ruler furnished below are designed to help you select the appropriate hardware.



Nut, M8

Thread Diameter (mm)
Inside Diameter (in)
Threads per inch

Nut, 1/2-16



Screw, M8- 1.25 x 25

Thread Diameter (mm)
Body Diameter
Distance between threads (mm)
Threads per inch
Body Length (mm)
Body Length (in)

Screw, 1/2- 16 x 2



Standard Hardware Sizing

When a washer or nut is identified as 1/2" (M8), this is the *Nominal size*, meaning the *inside diameter* is 1/2 inch (8mm metric thread diameter); if a second number is present it represents the *threads per inch* (distance between threads).

When bolt or capscrew is identified as 1/2 - 16 x 2" (M8 - 1.25 x 50), this means the *Nominal size*, or body diameter is 1/2 inch (8mm metric thread diameter), the second number, 16, represents the *threads per inch*, (1.25 thread diameter). The final number is the body length of the bolt or screw, 2 inches (50mm).

Torque Specification Chart FOR STANDARD MACHINE HARDWARE (Tolerance ± 20%)						
Hardware Grade	No Marks SAE Grade 2		SAE Grade 5		SAE Grade 8	
	in/lbs ft/lbs	Nm.	in/lbs ft/lbs	Nm.	in/lbs ft/lbs	Nm.
8-32	19	2.1	30	3.4	41	4.6
8-36	20	2.3	31	3.5	43	4.9
10-24	27	3.1	43	4.9	60	6.8
10-32	31	3.5	49	5.5	68	7.7
1/4-20	66	7.6	8	10.9	12	16.3
1/4-28	76	8.6	10	13.6	14	19.0
5/16-18	11	15.0	17	23.1	25	34.0
5/16-24	12	16.3	19	25.8	29	34.0
3/8-16	20	27.2	30	40.8	45	61.2
3/8-24	23	31.3	35	47.6	50	68.0
7/16-14	30	40.8	50	68.0	70	95.2
7/16-20	35	47.6	55	74.8	80	108.8
1/2-13	50	68.0	75	102.0	110	149.6
1/2-20	55	74.8	90	122.4	120	163.2
9/16-12	65	88.4	110	149.6	150	204.0
9/16-18	75	102.0	120	163.2	170	231.2
5/8-11	90	122.4	150	204.0	220	299.2
5/8-18	100	136	180	244.8	240	326.4
3/4-10	160	217.6	260	353.6	386	525.0
3/4-16	180	244.8	300	408.0	420	571.2
7/8-9	140	190.4	400	544.0	600	816.0
7/8-14	155	210.8	440	598.4	660	897.6
1-8	220	299.2	580	788.8	900	1,244.0
1-12	240	326.4	640	870.4	1,000	1,360.0

NOTES

- These torque values are to be used for all hardware excluding: locknuts, self-tapping screws, thread forming screws, sheet metal screws and socket head setscrews.
- Recommended seating torque values for locknuts:
 - for prevailing torque locknuts - use 65% of grade5 torques.
 - for flange whizlock nuts and screws - use 135% of grade 5 torques.
- Unless otherwise noted on assembly drawings, all torque values must meet this specification.

Common Hardware Types

Hex Head Capscrew



Washer



Carriage Bolt



Lockwasher



Hex Nut



Wrench & Fastener Size Guide

1/4" Bolt or Nut Wrench—7/16"	5/16" Bolt or Nut Wrench—1/2"	3/8" Bolt or Nut Wrench—9/16"	7/16" Bolt or Nut Wrench (Bolt)—5/8" Wrench (Nut)—11/16"	1/2" Bolt or Nut Wrench—3/4"
M6 Bolt or Nut Wrench—10mm	M8 Bolt or Nut Wrench—13mm	M10 Bolt or Nut Wrench—17mm	M12 Bolt or Nut Wrench—19mm	M14 Bolt or Nut Wrench—22mm

Parts Manual for

SNAPPER®

26", 28" & 30" LARGE FRAME TWO-STAGE SNOW THROWERS (2010)

Not for
Reproduction

IT IS THE POLICY OF BRIGGS & STRATTON CORP TO IMPROVE ITS PRODUCTS WHENEVER IT IS POSSIBLE AND PRACTICAL TO DO SO. WE RESERVE THE RIGHT TO MAKE CHANGES OR ADD IMPROVEMENTS AT ANY TIME WITHOUT INCURRING ANY OBLIGATION TO MAKE SUCH CHANGES ON PRODUCTS

Briggs & Stratton Yard Power Products Group

535 Macon Road
McDonough, GA, 30253 U.S.A.
800-935-2967

www.snapper.com

Copyright © 2010 Briggs & Stratton Corporation
Milwaukee, WI USA. All Rights Reserved

**Manual No. 7104729
Revision: A 10/1/2010**