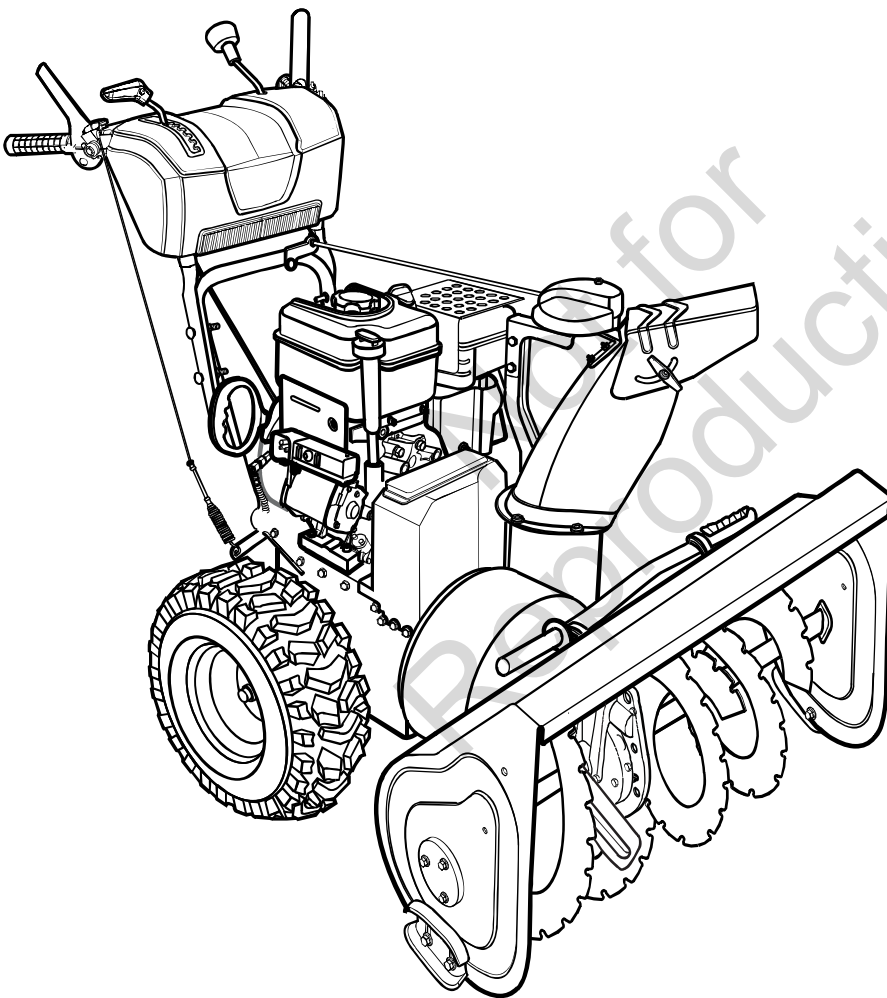


Parts Manual for
SNAPPER®

**24" MID FRAME TWO-STAGE
SNOW THROWERS
(2010)**

<i>Model No.</i>	<i>Description</i>
1695852	I924EX
1695907	M924E



Not for
Reproduction

PAGE	GROUP
4	Handles & Controls Group
8	Auger Housing Group
10	Auger Drive Group - Med. Duty
12	Gear Case Assembly - Med. Duty
14	Chute & Rotation Group - Left Side Crank
18	Chute & Rotation Group - Dash Mount Crank
20	Engine & Frame Group
24	Traction Drive Group - Standard
26	Decals Group
28	Wheel & Tire Group

Not for
Reproduction

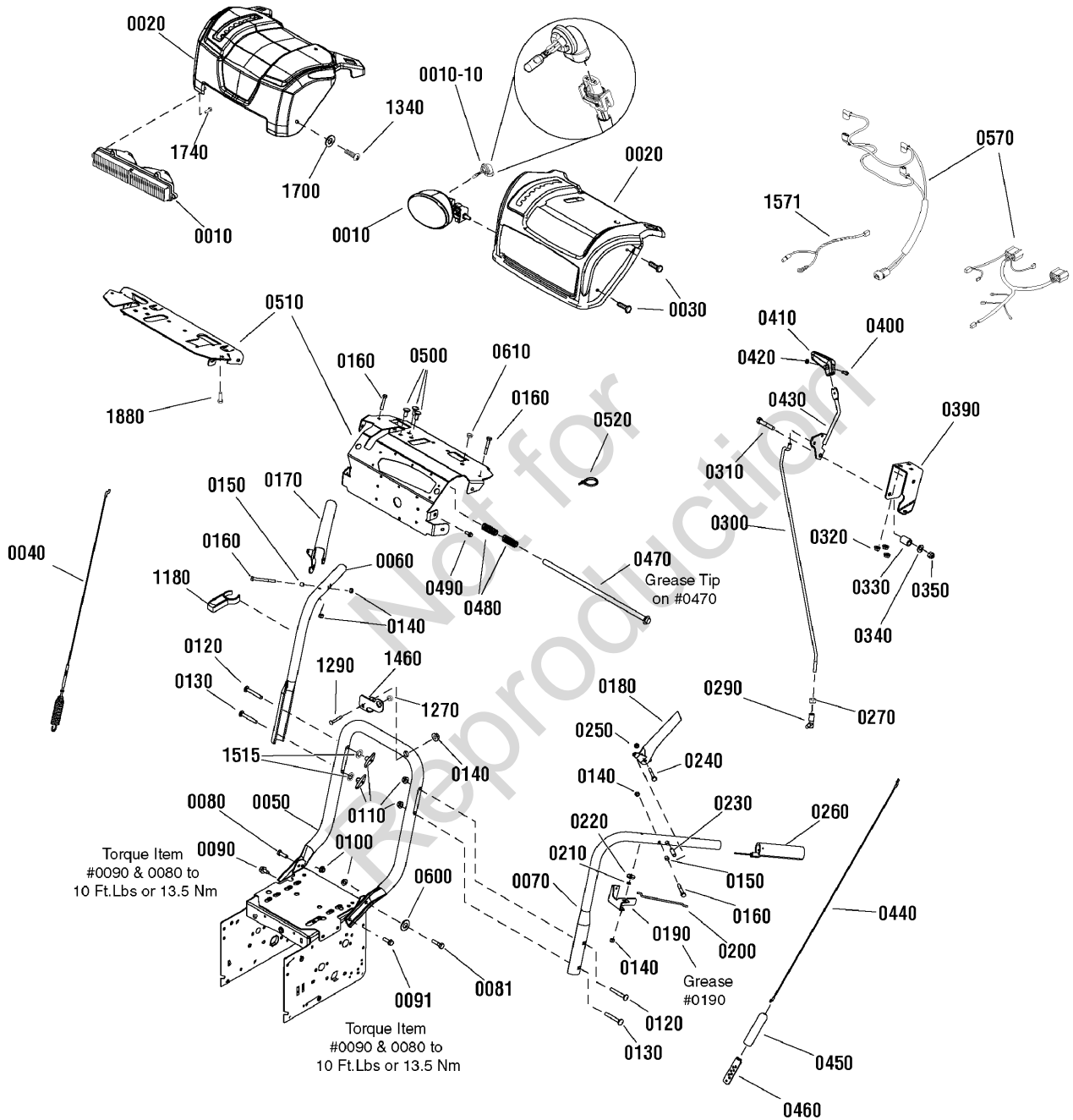
Handles & Controls Group

Item	Part No	Qty	Description
0010	1737966	1	HEADLIGHT ASSEMBLY, Oval (CE/Export)
0010	1736176	1	HEADLIGHT ASSEMBLY, Twin (Domestic)
0010-10	-----	1	BULB, 881-12V 27W Halogen Lamp (Included with Ref. No. 0010)
0020	1736536D	1	DASH ASSEMBLY (CE/Export)
0020	1738324	1	DASH ASSEMBLY, Twin Light (Domestic)
0030	1960715	3	SCREW, Truss Head Torx, 1/4-20 x 3/4 (CE/Export)
0040	1732471	1	CABLE AND SPRING ASSEMBLY, Auger Drive, R.H.
0050	1737759BM	1	HANDLE, Lower
0060	1734587BM	1	HANDLE, Upper, R.H.
0070	1734586BM	1	HANDLE, Upper, L.H.
0080	1921333	1	CAPSCREW, Hex Head, 5/16-18 x 1, G5
0081	1921977	1	CAPSCREW, Hex Head, 5/16-18 x 1-1/4, G5
0090	1664847	1	CAPSCREW, Hex Washer Head, Taptite, 5/16-18 x 3/4
0091	1960373	1	CAPSCREW, Hex Washer Head, 5/16-18 x 1
0100	1935048	2	NUT, Hex Flange, Two Way Lock, 5/16-18
0110	1739305	4	NUT, Hex Flange, ESNA, 5/16-18 (CE/Export)
0110	7035744	4	KNOB, Wing, 5/16-18 (Domestic)
0120	1960273	2	BOLT, Carriage, 5/16-18 x 2-1/4, G5 (Use Qty. 4 on Domestic Models)
0130	1931338	2	BOLT, Carriage, 5/16-18 x 1-3/4, G5 (CE/Export)
0140	1920397	4	NUT, Hex Lock, 1/4-20, ESNA Light
0150	1678392	2	SPACER, 1/4 ID x 3/8 OD x 5/16
0160	1921962	4	CAPSCREW, Hex Head, 1/4-20 x 1-3/4, G5
0170	1739783BM	1	LEVER, Clutch, R.H.
0180	1739782BM	1	LEVER, Clutch, L.H.
0190	1733505BM	1	BRACKET, Pivot, Free Hand
0200	1736360	1	ROD, 5-5/8
0210	1733095	1	SPACER, 1/4 ID x 3/8 OD x 1/8 (CE/Export)
0220	1960353	1	WASHER, 1/4
0230	1736542	2	SPACER, Stepped
0240	1750554	2	SCREW, Hex Washer Head, Shoulder, 10-24
0250	1933896	2	NUT, Hex Lock, Nylon Insert, 10-24
0260	1726317	2	GRIP
0270	2820263	1	NUT, Hex, 5/16-24
0290	724360	1	BALLJOINT
0300	1751543	1	ROD, Speed Control
0310	1923701	2	CAPSCREW, Hex Head, 3/8-16 x 2, G5
0320	1931277	3	NUT, Hex Flange, Whiz Lock, 5/16-18
0330	724361	1	SPRING
0340	1918266	1	WASHER, 3/8
0350	1919439	1	NUT, Hex Lock, 3/8-16, ESNA Light
0390	1737684	1	BRACKET, Controls
0400	1960589	1	SCREW, Round Head Phillips, #10-24 x 3/4
0410	1733192	1	KNOB, Slot Speed
0420	1933896	1	NUT, Hex Lock, 10-24

Footnotes:

Note* See your local hardware store for replacement bulbs

Handles & Controls Group



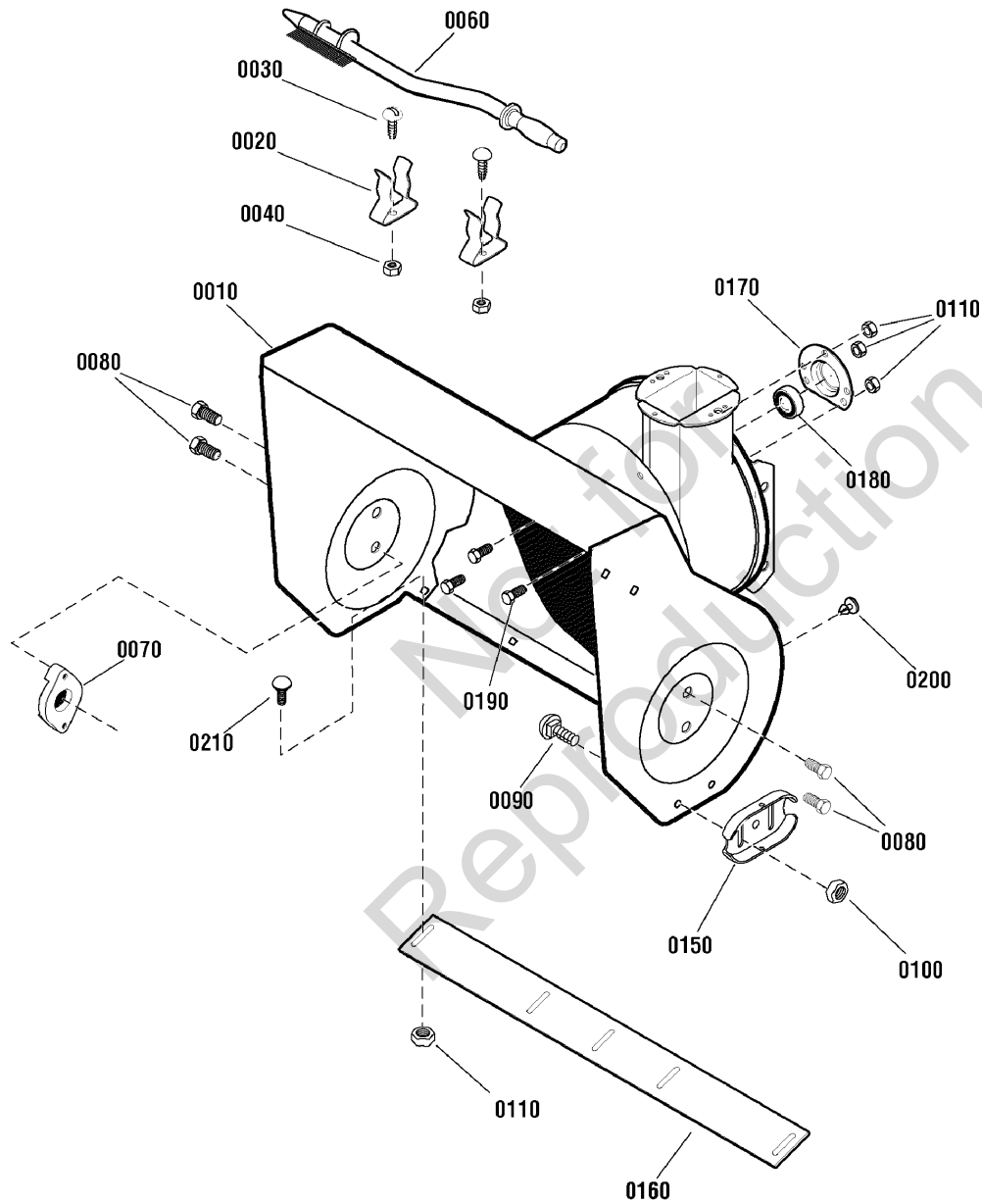
Handles & Controls Group

Item	Part No	Qty	Description
0430	1736836	1	LEVER, Speed
0440	727331	1	CABLE, Front Drive
0450	723154	1	BOOT, Spring End Cover
0460	723259	1	BRACKET, Cable Adjusting
0470	1733509	1	ROD & SPRING ASSEMBLY
0490	1927429	4	CAPSCREW, Hex Washer Head, Taptite, 1/4-20 x 5/8 (CE/Export)
0500	723873	3	BOLT, Carriage, 5/16-18 x 3/4
0510	1732064BM	1	SUPPORT, Dash (CE/Export)
0510	1739500BZ	1	SUPPORT, Dash (Domestic)
0520	2825094	5	TIE, Cable
0570	1737446	1	HARNESS, Wiring (CE/Export)
0570	1738286	1	HARNESS, Wiring, Headlights (Domestic)
0600	725331	2	WASHER, Flat
0610	1667588	1	BUSHING
1180	1739487	2	BRACKET, Mounting (Domestic)
1270	722323	1	BUSHING, Chute Crank (Domestic)
1290	1931323	1	BOLT, Carriage, Short Neck, 1/4-20 x 2 (Domestic)
1340	1960001	2	SCREW, Hex Washer Head, Plastite, 10-14 x 5/8 (Domestic)
1460	1735589	1	BRACKET, Rod Support (Domestic)
1515	7090391	4	WASHER, Internal Tooth, 5/16 (Domestic)
1571	1738382	1	HARNESS, Wiring, Adapter (Domestic)
1700	1921319	2	WASHER, 1/4 (Domestic)
1740	7091105	4	SCREW, Hex Washer Head, 10-16 x 1/2 (Domestic)
1880	7091081	2	SCREW, Hex Washer, Tapping, 1/4-15 x 3/4 (Domestic)
1880	7091081	2	SCREW, Hex Washer, Tapping, 1/4-15 x 3/4 (Domestic)

Footnotes:

Note* See your local hardware store for replacement bulbs

Auger Housing Group

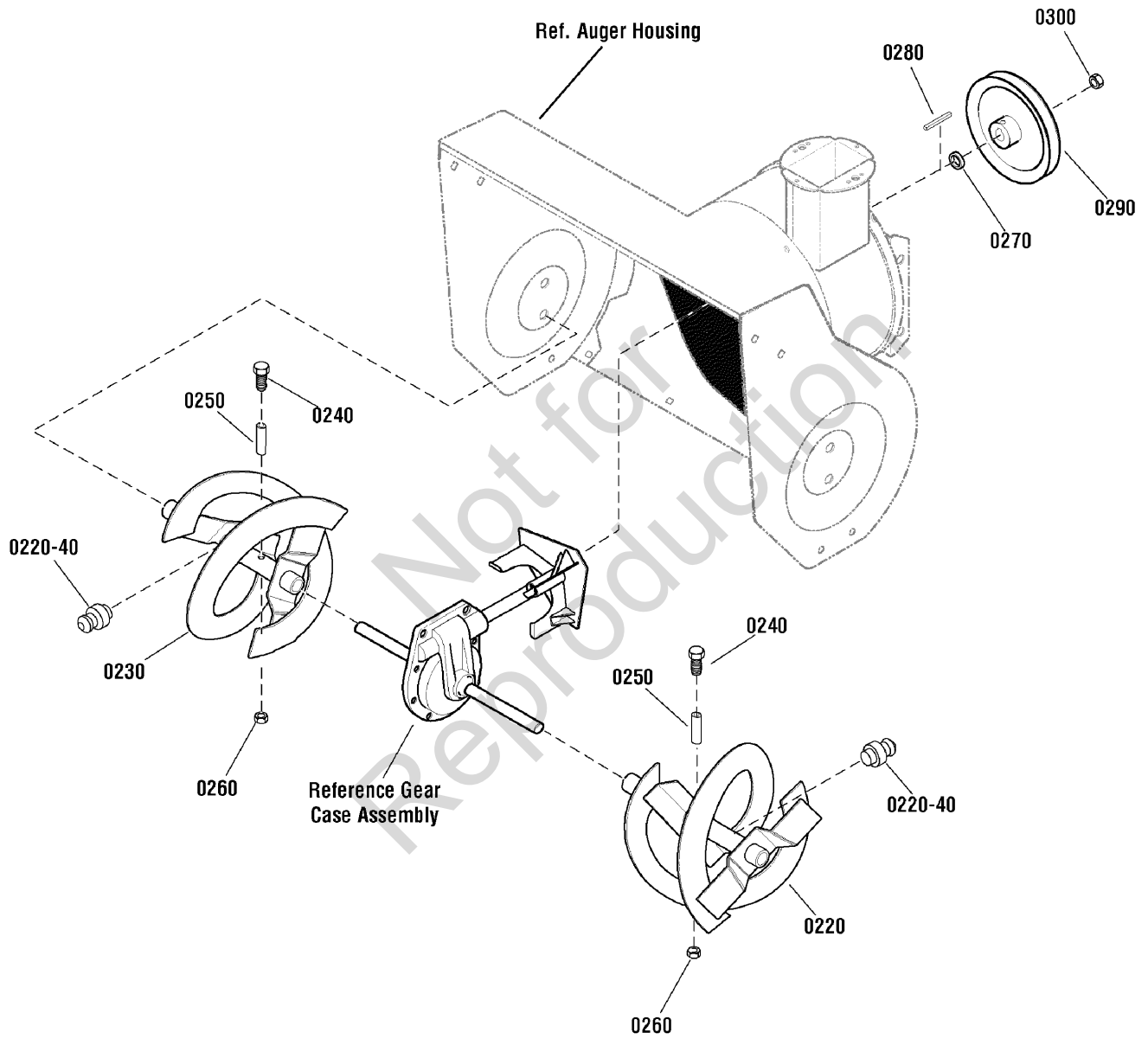


Auger Housing Group

Item	Part No	Qty	Description
0010	1738263D	1	AUGER HOUSING, 24"
0020	1736620	2	CLIP, Retainer
0030	1960569	2	SCREW, Truss Head Torx, #10-24 x 3/8
0040	722401	2	NUT, Nylock, 10 x 26
0060	1736094	1	BRUSH, Cleanout
0070	724427	2	BEARING, Auger Shaft
0080	722839	4	CAPSCREW, Hex Head, 5/16-18 x 3/4
0090	7091547	4	BOLT, Carriage, 3/8-16 x 3/4, GR5
0100	7091619	4	NUT, Hex Flange, 3/8-16
0110	725273	7	NUT, Hex Flange, Serrated Lock, 5/16-18
0150	1727854A	2	SHOE, Skid, Reversible
0160	1738301A	1	BLADE, Scraper, 24"
0170	724712	1	RETAINER, Ball Bearing
0180	1705897	1	BEARING, Ball
0190	720018	3	BOLT, Hex, 5/16-18 x 5/8
0200	725521	2	PLUG, Panel
0210	7090799	4	BOLT, Carriage, 3/8-16 x 5/8, GR5

Not for
Reproduction

Footnotes:



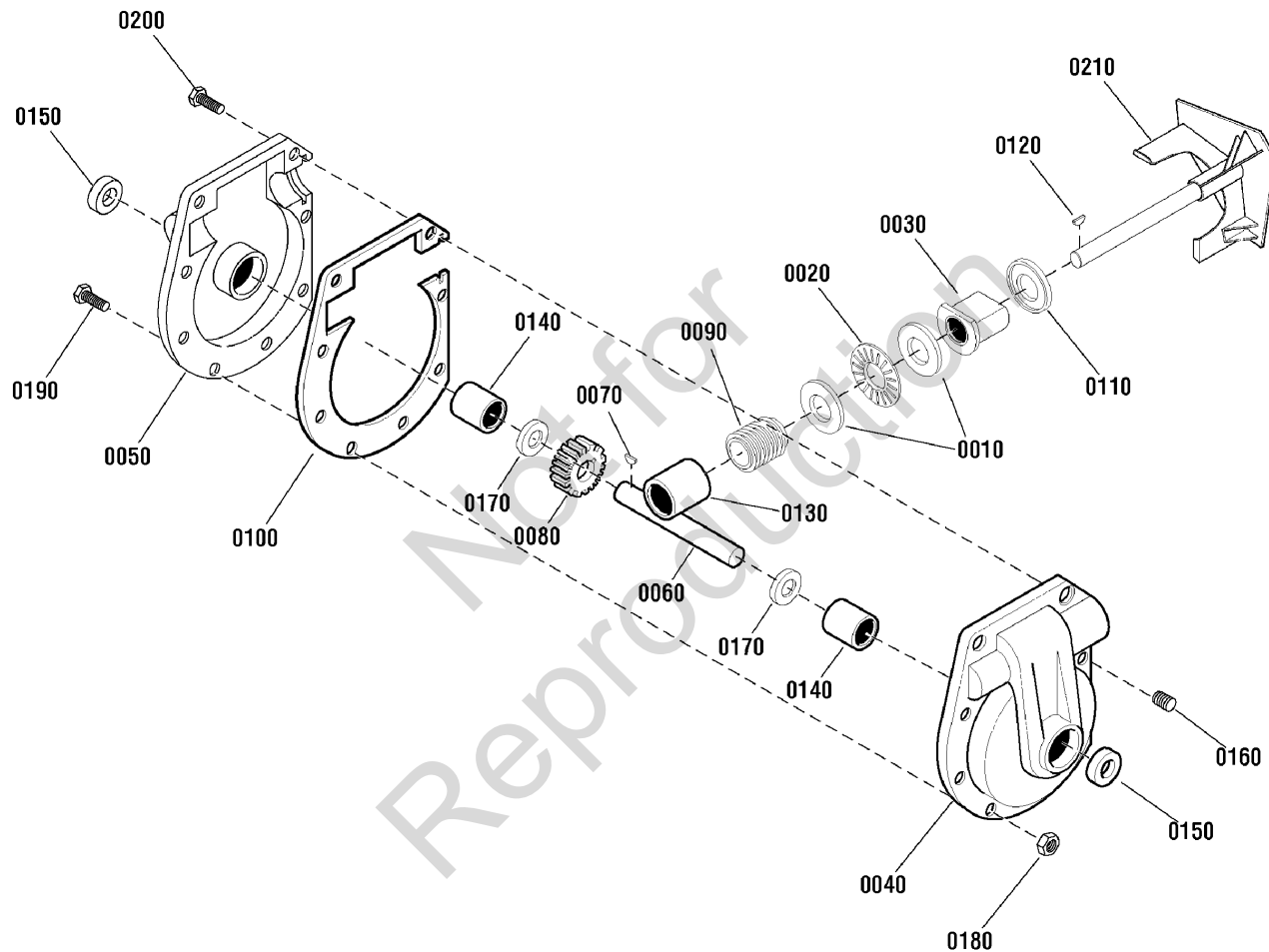
Auger Drive Group - Med. Duty

Item	Part No	Qty	Description
0220	1738299A	1	AUGER ASSEMBLY, L.H. (Includes Ref. No. 0220-40)
0220-40	721620	2	FITTING, Zerk
0230	1738300A	1	AUGER ASSEMBLY, R.H. (Includes Ref. No. 0220-40)
0240	726061	2	CAPSCREW, Hex, 1/4-20 x 1-3/4
0250	723913	2	SPACER, Sleeve
0260	725429	2	NUT, Hex, Centerlock, 1/4-20
0270	722110	1	SPACER, Friction Pulley
0280	722726	1	KEY, Square
0290	724731	1	PULLEY
0300	722389	1	NUT, Hex Flange, Serrated Lock, 1/2-20
--	722130	1	KIT, Shear Bolt (Includes Ref. Nos. 0240, 0250 & 0260)

Not for
Reproduction

Footnotes:

Gear Case Assembly - Med. Duty



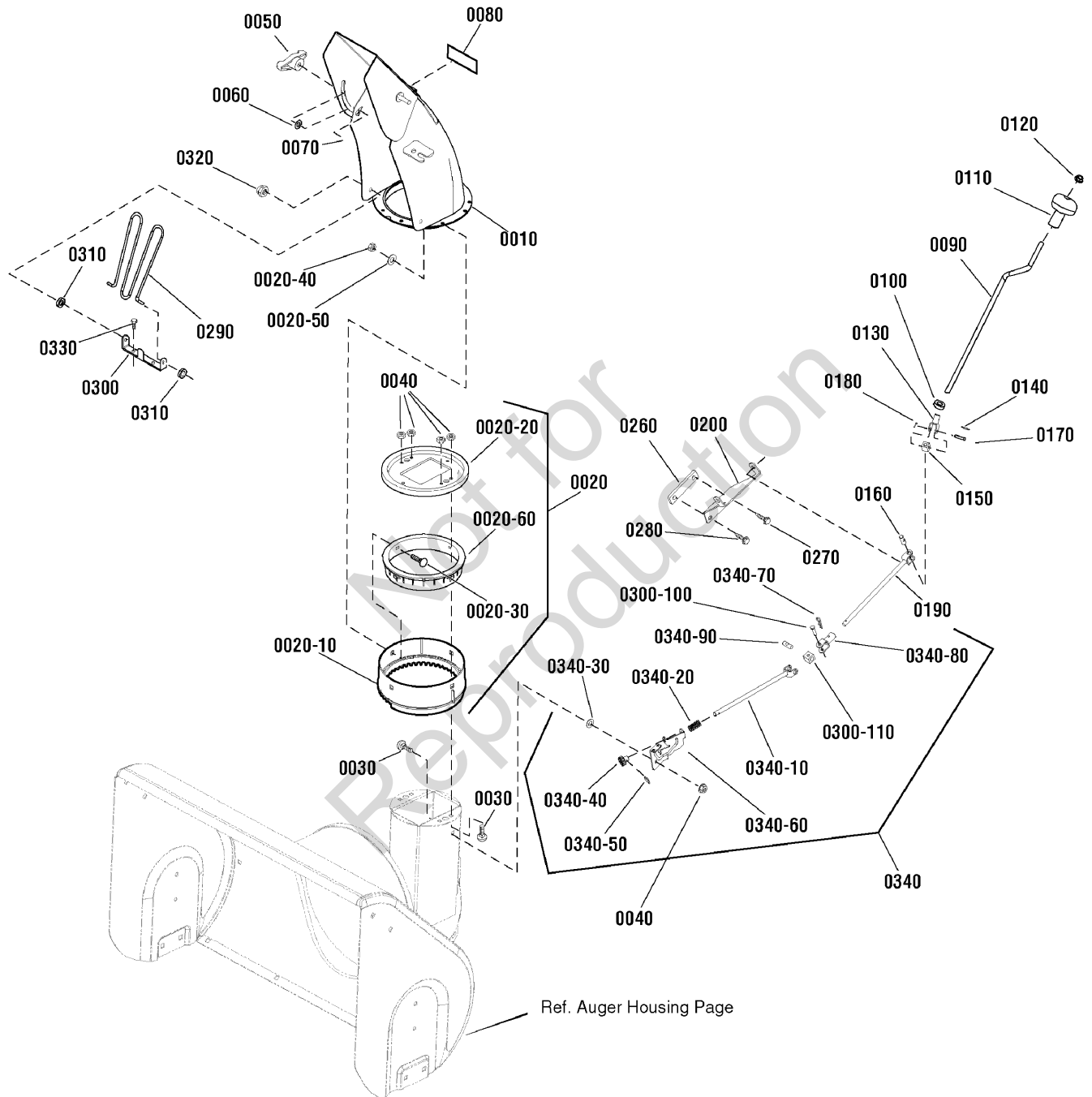
Gear Case Assembly - Med. Duty

Item	Part No	Qty	Description
0010	724079	2	WASHER, Thrust
0020	724352	1	BEARING, Roll
0030	724729	1	BEARING, Flange
0040	725981	1	CASE, Gear, Left
0050	725982	1	CASE, Gear, Right
0060	1739058	1	SHAFT, Auger
0070	725433	1	KEY, Woodruff
0080	724419	1	GEAR, Worm
0090	724421	1	WORMGEAR
0100	725983	1	GASKET, Gearbox
0110	724423	1	RING, Quad
0120	724366	1	KEY, Hi-Pro
0130	724420	1	BEARING, Sleeve, 3/4 ID x 7/8 OD
0140	724424	2	BEARING, Sleeve, 1 x 1-1/4 x 1
0150	725874	2	SEAL, Oil
0160	724426	1	PLUG, Pipe
0170	724425	2	WASHER, Flat
0180	725338	8	NUT, Hex Flange, Serrated Lock, 5/16-24
0190	725996	7	BOLT, Hex, 5/16-24 x 1
0200	723575	1	SCREW, 5/16-24 x 1-1/2
0210	1740584A	1	IMPELLER

Not for
Reproduction

Footnotes:

Chute & Rotation Group - Left Side Crank

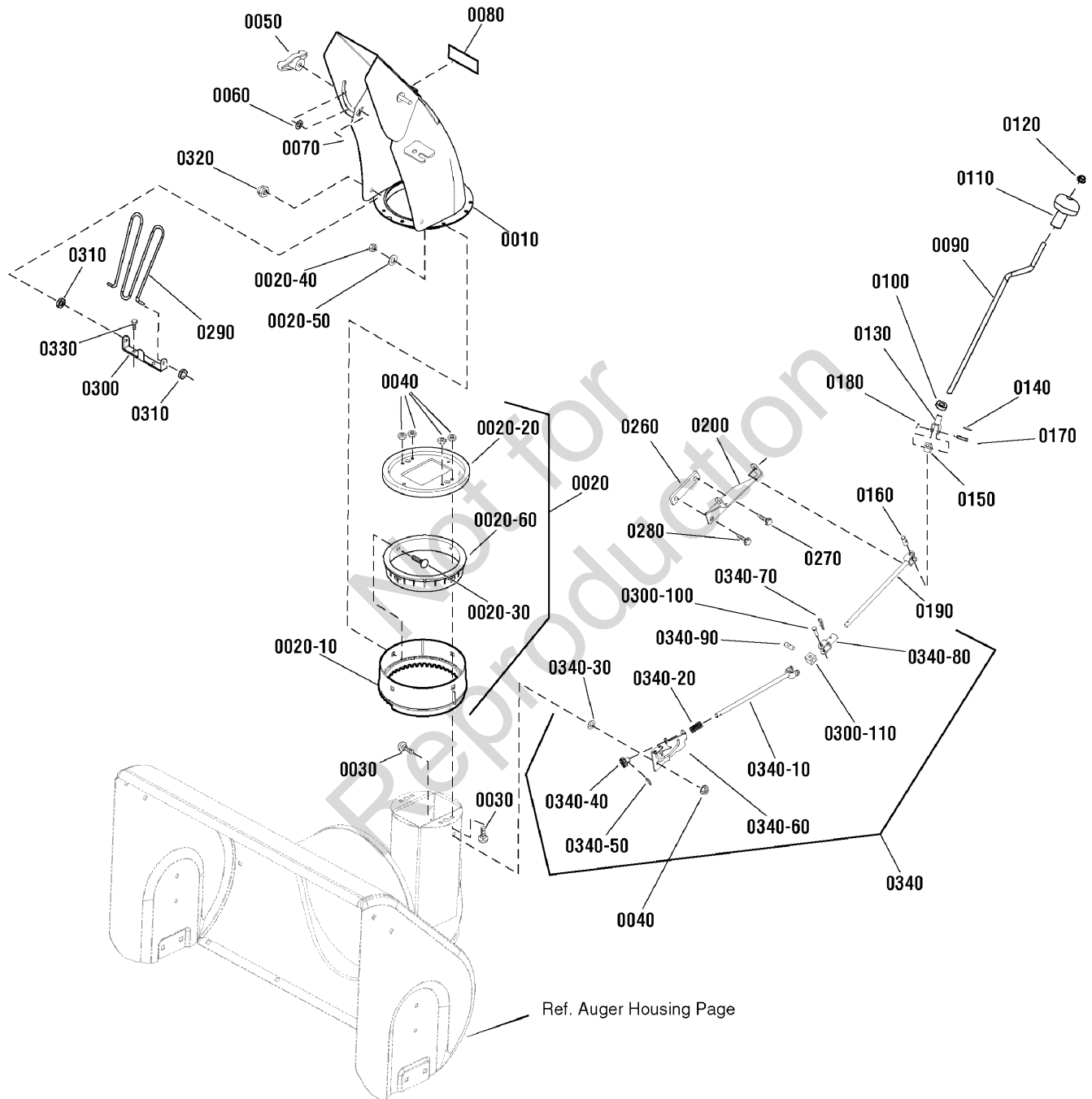


Chute & Rotation Group - Left Side Crank

Item	Part No	Qty	Description
0010	1736380H	1	CHUTE ASSEMBLY, Short
0020	1742293	1	CHUTE RING ASSEMBLY (Incl. Ref. Nos. 0020-10, 0020-20, 0220-30, 0020-40, 0020-50 & 0020-60)
0020-10	722138	1	RING, Outer Chute
0020-20	722340	1	COLLAR, Chute Rotation
0020-30	722899	3	BOLT, Carriage, 5/16-18 x 1
0020-40	725321	4	NUT, Nylock, 5/16-18
0020-50	725331	4	WASHER, Flat
0020-60	1741917	1	RING, Inner Chute
0030	720386	4	BOLT, Carriage, 1/4-20 x 3/4
0040	722400	4	NUT, Nylock, 1/4-20
0050	7035744	1	KNOB, 5/16-18
0060	2860210	1	WASHER, Nylon, 3/8
0070	720064	1	BOLT, Carriage, 5/16-18 x 1-1/2
0080	1733601	1	DECAL, Hinge
0090	1715658	1	ROD, Chute Control
0100	1667588	1	BUSHING, 3/8 ID x 7/16 OD x 3/16 Lg
0110	1714084	1	KNOB, Spinner, 3/8 ID, 2-3/16 OD, 2-1/2 Lg
0120	1960093	1	PUSHNUT, 3/8 Dia.
0130	1733611	1	ASSEMBLY, Yoke Tube, Chute
0140	722139	2	PIN, Hair, Chute Gear
0150	724565	1	BLOCK, Universal Pivot
0160	724564	1	PIN, Universal Joint, 3/8 x 1
0170	724579	1	PIN, Clevis, 1/4D x 1-3/16
0180	724605	1	PIN, Cotter, 5/8 x 1/2
0190	1736538	1	ROD & YOKE ASSEMBLY, Chute
0200	1736537A	1	SUPPORT, Chute Rod
0260	1733379A	1	SPACER, Support, Chute Rod
0270	1921977	1	CAPSCREW, Hex Flange Head, 5/16-18 x 1-1/4, G5
0280	1960373	1	CAPSCREW, Hex Washer, Taptite, 5/16-18 x 1
0290	1733475	1	GUARD, Chute Rod
0300	1737683	1	BRACKET, Chute Guard
0310	1738174	2	GROMMET, Chute Guard Bracket
0320	1960140	2	PUSHNUT, 3/16 Dia.
0330	1925003	2	CAPSCREW, Hex-Washer, Taptite, 1/4-20 x 1/2
0340	726160	1	GEAR & YOKE ROD ASSEMBLY (Incl. Ref. Nos. 0340-10, 0340-20, 0340-30, 0340-40, 0340-50, 0340-60, 0340-70, 0340-80, 0340-90, 0340-100 & 0340-110)
0340-10	722202	1	ASSEMBLY, Rod & Yoke
0340-20	722414	1	SPRING, Compression
0340-30	720164	1	WASHER, Flat, 3/8
0340-40	722073	1	GEAR, 9 Tooth
0340-50	722139	1	PIN, Hair, Chute Gear
0340-60	1740591A	1	BRACKET, Chute Gear
0340-70	724605	1	PIN, Cotter, 5/8 x 1/2
0340-80	722076	1	ASSEMBLY, Yoke Tube

Footnotes:

Chute & Rotation Group - Left Side Crank



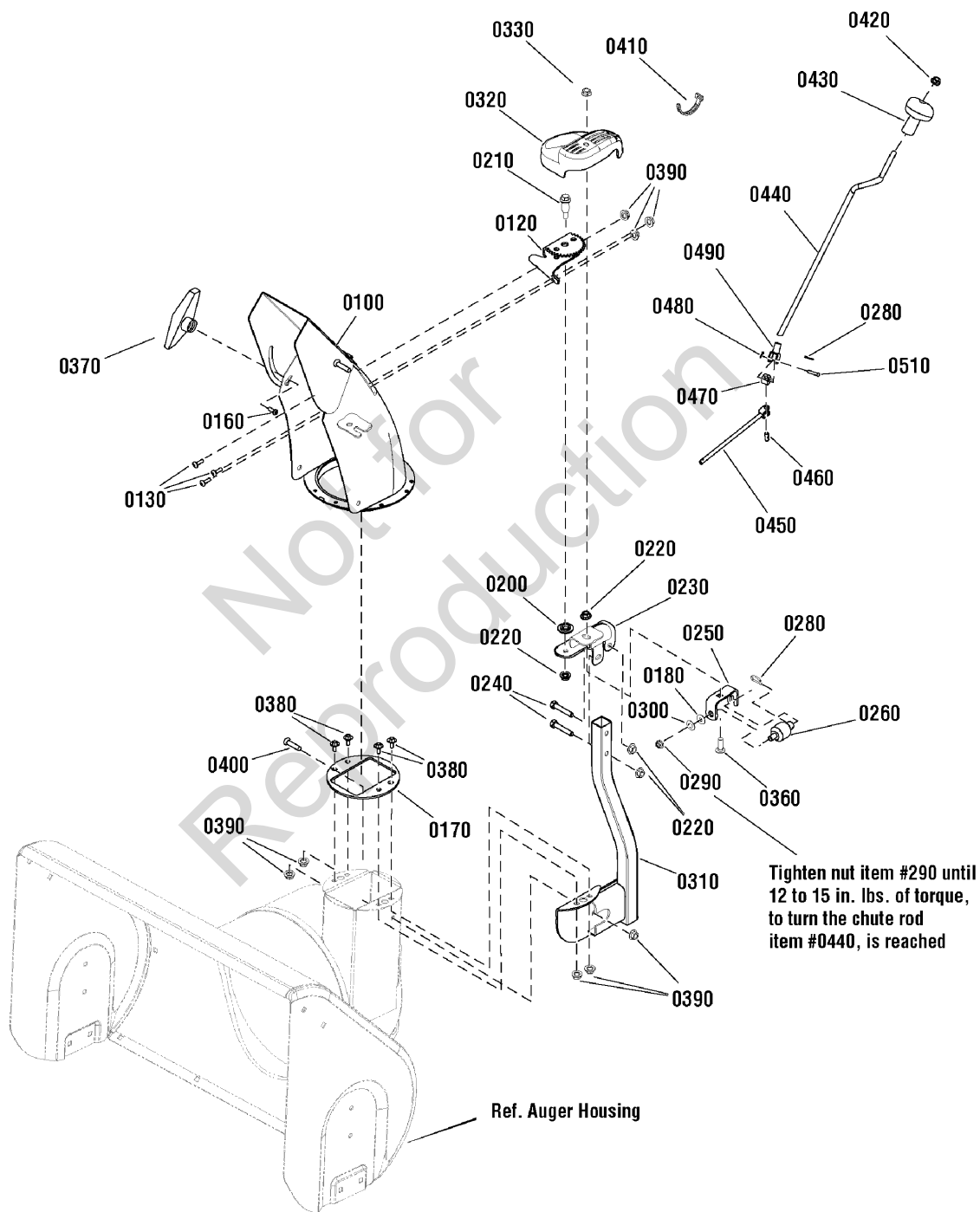
Chute & Rotation Group - Left Side Crank

Item	Part No	Qty	Description
0340-100	724579	1	PIN, Clevis, 1/4 X 1-3/16
0340-110	724565	1	BLOCK, Universal Pivot

Not for
Reproduction

Footnotes:

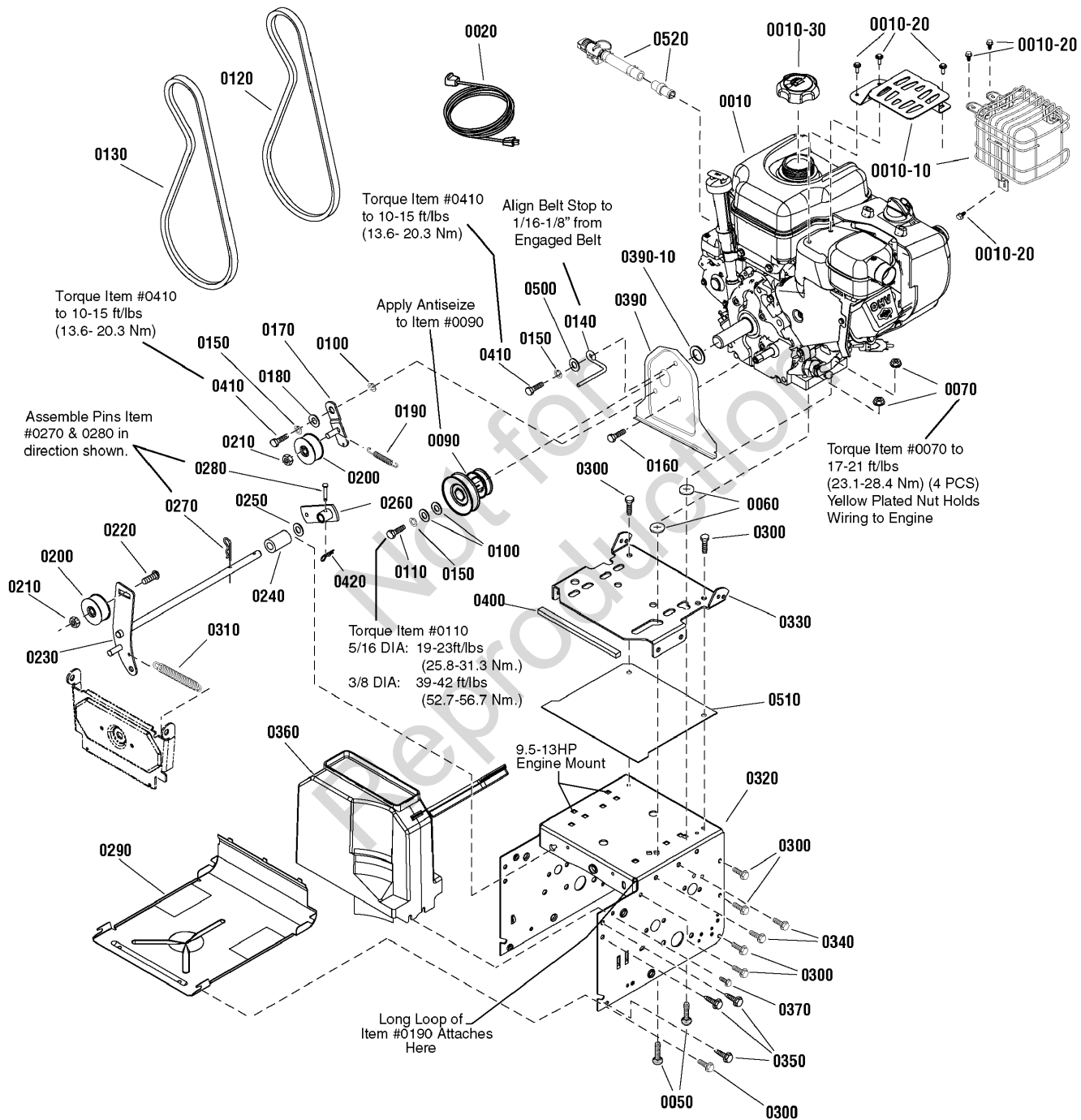
Chute & Rotation Group - Dash Mount Crank



Chute & Rotation Group - Dash Mount Crank

Item	Part No	Qty	Description
0100	1736379D	1	CHUTE ASSEMBLY, Red
0120	1736038	1	GEAR, Chute Support
0130	1960715	3	SCREW, Truss-Head, Torx, 1/4-20 x 3/4
0160	720064	1	BOLT, Carriage, 5/16-18 x 1-1/2
0170	1735767	1	GUARD, Chute Ring
0180	2860210	2	WASHER, Nylon, 3/8
0200	1733026	1	WASHER, 1/2 x 1-1/8 OD
0210	1732412	1	BOLT, Shoulder, 5/16-18 X 5/8, G5
0220	1960684	4	NUT, Hex, Conical Washer, 5/16-18
0230	1734423A	1	SUPPORT, Gear Crank
0240	1922127	2	CAPSCREW, Hex-Head, 5/16-18 x 1-3/4, G5
0250	1738020	1	SUPPORT, Worm, Clear
0260	1734439	1	GEAR, Worm, Chute, L.H.
0280	722139	2	PIN, Hair, Chute Gear
0290	1960762	1	NUT, Locking, 3/8-24
0300	1734542	1	WASHER, Cup, 3/8
0310	1736195A	1	CHUTE SUPPORT ASSEMBLY
0320	1734442	1	COVER, Gears
0330	1935048	1	NUT, Hex-Flange, Locking, 5/16-18
0360	1931335	1	BOLT, Carriage, 5/16-18 X 1, G5
0370	722136	1	KNOB, Wing 5/16-18
0380	95118	4	SCREW, Shoulder, Hex-Washer, 11/16
0390	5025391	8	NUT, Nylock, 1/4-20
0400	720386	1	BOLT, Carriage, 1/4-20 X 3/4
0410	2825094	2	TIE, Self-Locking, 7-5/16 Lg
0420	1960093	1	PUSHNUT, 3/8 Dia.
0430	1714084	1	KNOB, Spinner, 3/8 ID, 2-3/16 OD, 2-1/2 Lg
0440	1735661	1	CRANK, Chute Hande
0450	1735660	1	ROD & YOKE ASSEMBLY
0460	724564	1	PIN, Universal Joint, 3/8 X 1
0470	724565	1	BLOCK, Universal Pivot
0480	724605	1	PIN, Cotter, 5/8 X 1/2
0490	1733611	1	YOKE TUBE ASSEMBLY, Chute
0510	724579	1	PIN, Clevis, 1/4 X 1-3/16

Footnotes:



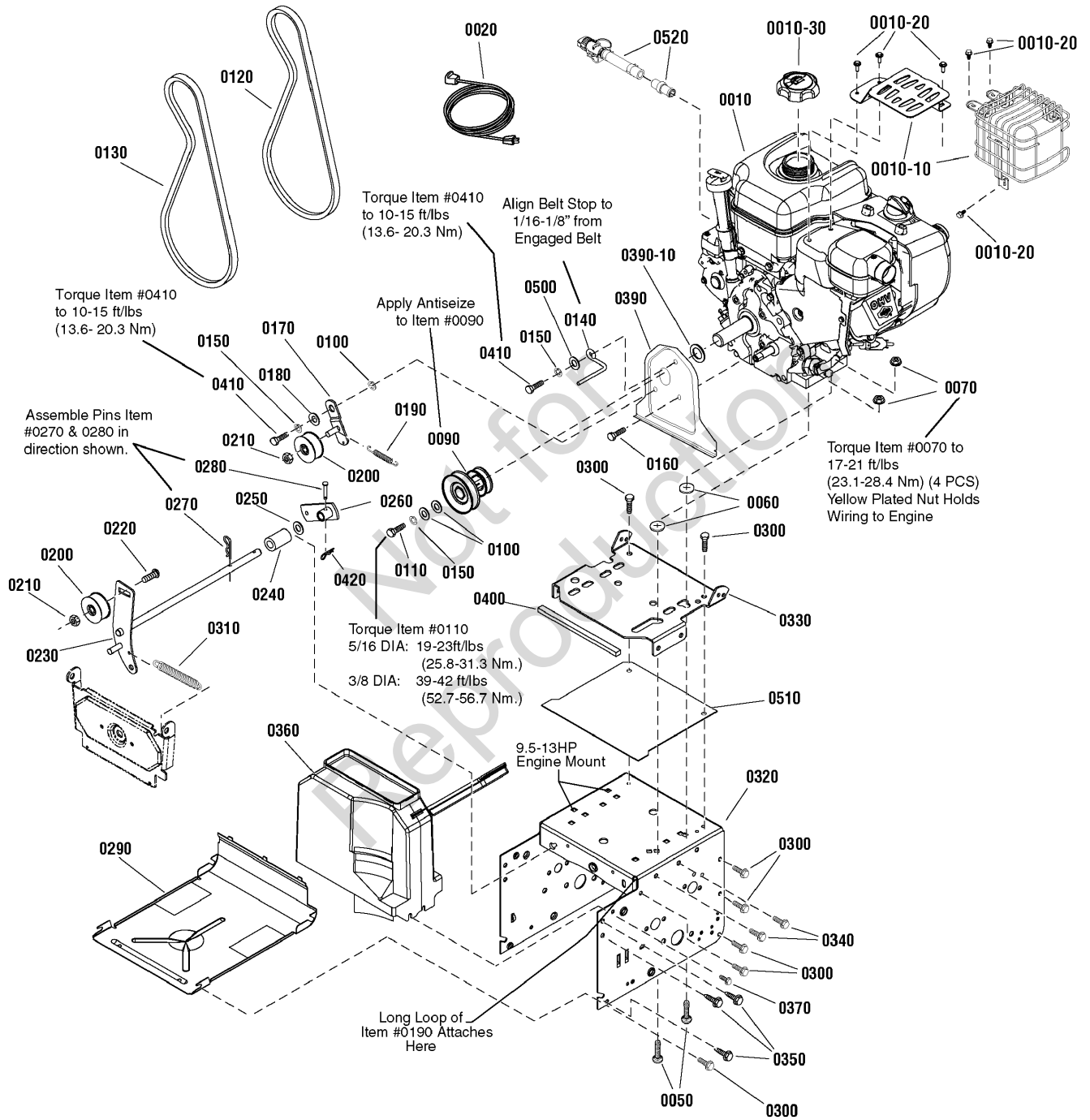
Engine & Frame Group

Item	Part No	Qty	Description
0010	12D114-0122-E8	1	* ENGINE, 9TP, Briggs & Stratton (Engine Model: 12D114-0122-E8) (Domestic Models Only)
0010	12D114-0128-E8	1	* ENGINE, 9TP, Briggs & Stratton (Engine Model: 12D114-0128-E8) (CE/Export Models Only)
0010-10	797003	1	* GUARD, Muffler, Plate (Domestic Models Only)
0010-10	793193	1	* GUARD, Muffler, Cage (Export Models Only)
0010-20	699854	1	* SCREW, Muffler Guard
0010-30	795027	1	* CAP, Fuel
0020	724865	1	CORD, 10 FT, 110V (Domestic Models Only)
0050	720064	4	BOLT, Carriage, 5/16-18 x 1-1/2
0060	720376	4	NUT, Push
0070	1739305	4	NUT, 5/16-18, ESNA
0090	722085	1	PULLEY, Engine
0100	1919381	3	WASHER, 5/16
0110	1921982	1	CAPSCREW, Hex Head, 5/16-24 x 1-1/4
0120	1733324	1	V-BELT, 3L, 33.13, Drive
0130	724801	1	V-BELT, 4L, 38.10, Auger
0140	1739070	1	BELT GUIDE
0150	1917356	4	LOCKWASHER, Spring, 5/16
0160	1921515	1	CAPSCREW, Hex HEad, 5/16-24 x 3/4, G5
0170	722090	1	BRACKET, Idler
0180	722072	1	BUSHING, Idler Bracket
0190	722457	1	SPRING, Extension, Idler
0200	722378	2	IDLER
0210	1960251	2	NUT, Hex, Centerlock Jaam, 3/8-16
0220	724823	1	BOLT, Carriage, 3/8-16 x 1-1/4
0230	722132	1	IDLER, Auger
0240	722118	1	SPACER
0250	1960027	1	WASHER, 1/2
0260	1733451	1	ARM, Control
0270	725367	1	PIN, Hair
0280	1736381	1	PIN, Clevis
0290	1740906A	1	PANEL, Bottom
0300	1927429	12	SCREW, Hex Washer Head, Taptite, 1/4-20 x 5/8
0310	722455	1	SPRING, Extension, Auger
0320	1740572D	1	FRAME BOX, Standard
0330	1733583D	1	PLATE, Engine Mount
0340	722838	4	SCREW, Hex Washer Head, Taptite, 5/16-18 x 3/4
0350	1664847	6	SCREW, Hex Washer Head, Taptite, 5/16-18 x 3/4
0360	1733923	1	BELT COVER ASSEMBLY
0370	722887	2	SCREW, Tapping, 1/4 x 3/4
0390	1750241	1	PLATE, Seal (Incl. Ref. 0390-10)
0390-10	1733898	1	SEAL, Foam (Included with Ref. No. 0390)
0400	1750172	1	STRIP, Seal
0410	725996	2	BOLT, Hex, 5/16-24 x 1
0420	7023590	1	PIN, Cotter, 1/4

Footnotes:

NOTE: * Purchase engine parts from engine manufacturer dealer.

Engine & Frame Group



Engine & Frame Group

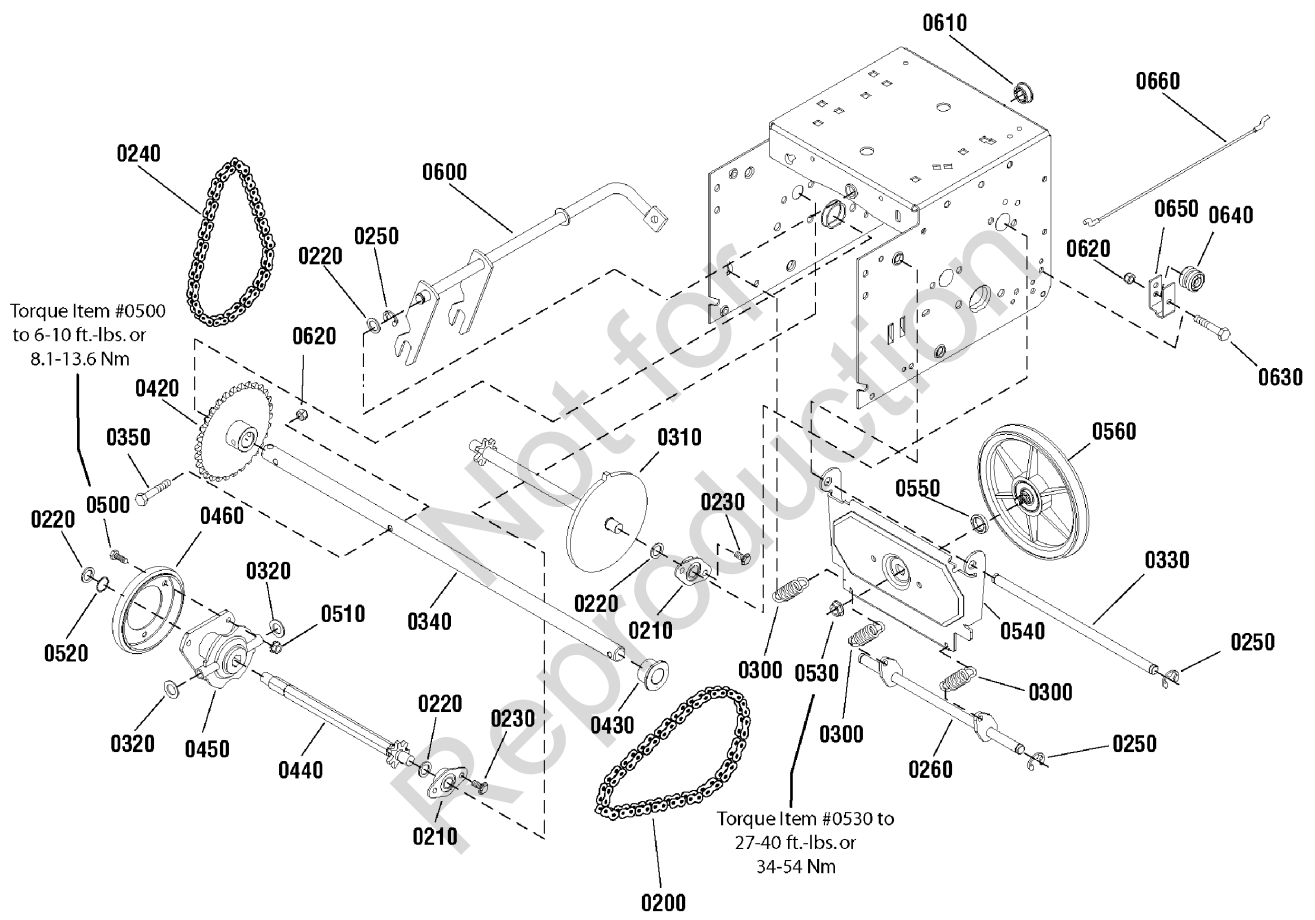
Item	Part No	Qty	Description
0500	7091528	1	WASHER, Flat, 3/8
0510	1750135	1	SEAL, Engine Plate
0520	796530	1	* OIL DRAIN ASSEMBLY (Optional Accessory)

Not for
Reproduction

Footnotes:

NOTE: * Purchase engine parts from engine manufacturer dealer.

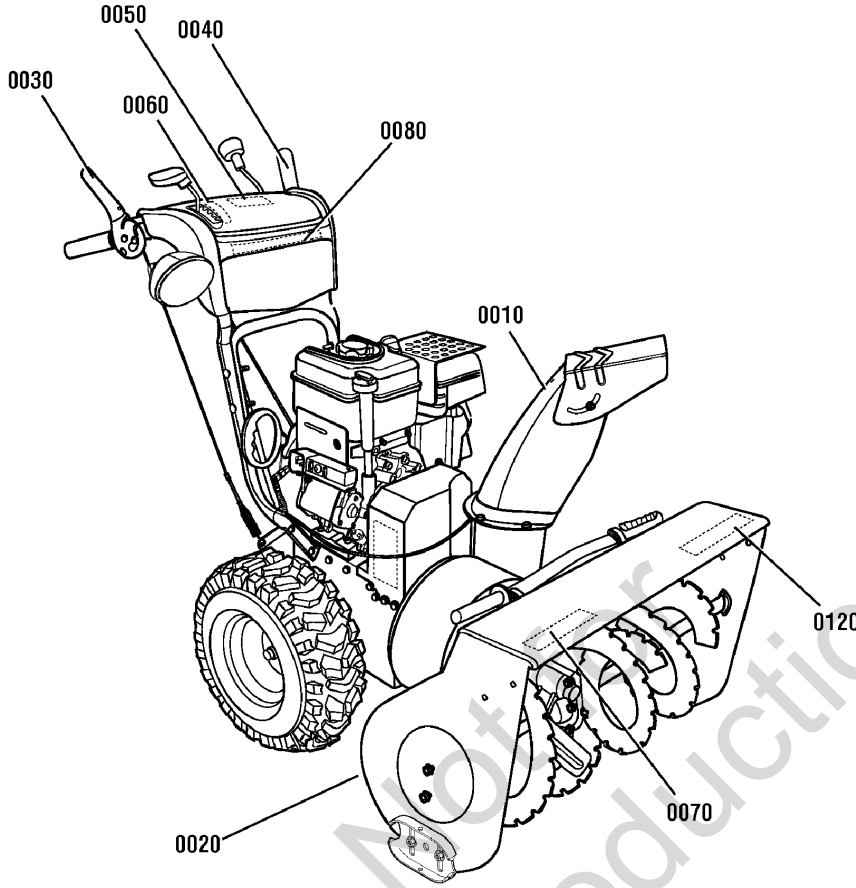
Traction Drive Group - Standard



Traction Drive Group - Standard

Item	Part No	Qty	Description
0200	724613	1	CHAIN, Roller, 19"
0210	723655	4	RETAINER & BUSHING ASSEMBLY
0220	724619	5	WASHER, Flat, 1/2
0230	1924856	8	SCREW, Hex Washer Head, Taptite, 5/16-18 x 1/2
0240	724627	1	CHAIN, Roller, 18 Inch
0250	721910	5	RETAINER, Ring, 7/16
0260	722377	1	SPRING LINK
0300	1736469	3	SPRING, Extension
0310	722081	1	SPROCKET
0320	1960027	2	WASHER, 1/2
0330	722082	1	AXLE, Swing Plate
0340	722211	1	AXLE, 23-1/8 Lg
0350	720220	1	BOLT, Hex, 1/4-20 x 1-3/4, G8
0420	722080	1	AXLE SPROCKET, 30T
0430	722091	2	BEARING, Axle, D-Hole
0440	722083	1	HEX SHAFT & SPROCKET ASSEMBLY
0450	1739282	1	HUB, Friction Wheel and Bearing
0460	722185	1	WHEEL, Friction
0500	1921959	3	CAPSCREW, Hex Head, 1/4-20 x 5/8 G5
0510	1928372	3	NUT, Hex Keps, 1/4-20
0520	1733326	1	RING, Retaining
0530	722391	1	NUT, Flange Lock, 3/8-24
0540	722069	1	PLATE, Swinging
0550	722110	1	SPACER, Friction Pulley
0560	722092	1	FRICITION PULLEY ASSEMBLY
0600	722087	1	SPEED SELECTOR ASSEMBLY
0610	724636	1	BEARING, Flange, 1/2ID x 7/8OD
0620	1920397	2	NUT, Hex Lock, ESNA Light, 1/4-20
0630	1922837	1	CAPSCREW, Hex Head, 1/4-20 x 1-1/2 G5
0640	724621	1	CABLE SPOOL, Auger Control
0650	722070	1	BRACKET, Cable Spool
0660	722095	1	CABLE, Front Lower Drive

Footnotes:



⚠ DANGER
Amputation hazard
 Contact with moving parts inside chute will cause serious injury.
 • Shut off engine before unclogging discharge chute.
 • Use clean-cut tool, not hands!

Risque d'amputation
 Tout contact avec des pièces en mouvement à l'intérieur de la goulotte provoque de graves blessures.
 • Arrêter le moteur avant de déloger la goulotte d'éjection.
 • Utiliser l'outil de délogement, pas les mains!

0010

⚠ DANGER

Amputation Hazard
 • Contact with auger will cause serious injury.
 • Keep hands, feet and clothing away.
 • Keep bystanders away.

Risque d'amputation
 • Tout contact avec la partie processive de grande longueur, peut causer de graves blessures.
 • Garder les mains, les vêtements et les spectateurs à distance.

Thrown Objects Hazard
 • Never direct discharge chute towards persons or property.

Danger objets projetés
 • Ne jamais diriger la chute en direction des personnes ou biens matériels.

Read the operator's manual for operating and safety instructions.
 Lire les consignes de sécurité et d'utilisation dans le manuel d'utilisation.

Shut off engine and remove key before performing maintenance or repairs.
 Arrêter le moteur et retirer la clé avant d'effectuer une maintenance ou des réparations.

0020

0050

0030 0040

MODEL # 0120 **SNAPPER** 0070

0060

0080

SNAPPER

SNAPPER

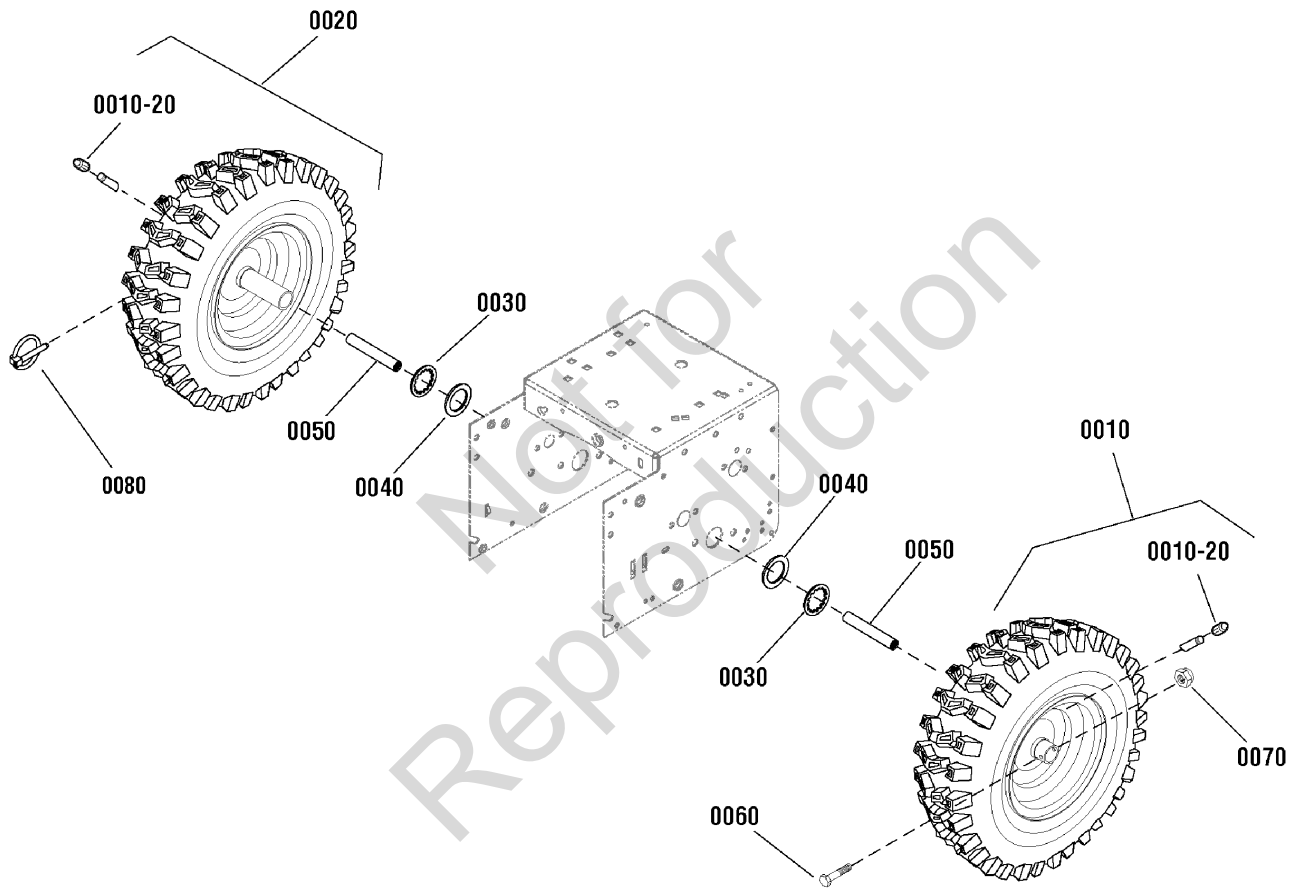
0050

Decals Group

Item	Part No	Qty	Description
0010	1727207	1	DECAL, Chute Warning (CE/Export)
0010	1737865	1	DECAL, Chute Warning (Domestic)
0020	1737867	1	DECAL, Danger Auger Icons (CE/Export)
0020	1737866	1	DECAL, Danger, Foot (Domestic)
0030	1737869	1	DECAL, Auger Control Symbols
0040	1737870	1	DECAL, Traction Control Symbols
0050	1751581	1	DECAL, Instruction w/o Remote (CE/Export)
0050	1738344	1	DECAL, Free Hand (Domestic)
0060	1733772	1	DECAL, Shift, 1,2,3,4,5,6 R1 R2 (CE/Export)
0060	1738349	1	DECAL, Speed Control (Domestic)
0070	7103963	1	DECAL, Front Shroud, Logo
0080	1750411	1	DECAL, Logo, Panel (CE/Export)
0080	1750407	1	DECAL, Logo, Panel (Domestic)
0120	1750416	1	DECAL, Housing (CE/Export)
0120	1750408	1	DECAL, Housing (Domestic)

Not for
Reproduction

Footnotes:



Wheel & Tire Group

Item	Part No	Qty	Description
0010	1736779	1	WHEEL & TIRE ASSEMBLY, 8 x 4.8, LH (Includes Ref. No. 0010-20)
0020	1736778	1	WHEEL & TIRE ASSEMBLY, 8 x 4.8, RH (Includes Ref. No. 0010-20)
0010-20	2172353	2	VALVE STEM & CAP-AIR .453DIA 0.88LG
0030	1657528	2	RINT, Retaining
0040	725394	2	WASHER, Flat, 3/4
0050	722102	2	BUSHING, Wheel
0060	724545	1	BOLT, Hex, 1/4-20 x 1-3/4, G5
0070	722400	1	NUT, Hex Nylock, 1/4-20
0080	725431	1	PIN, Klik

Not for
Reproduction

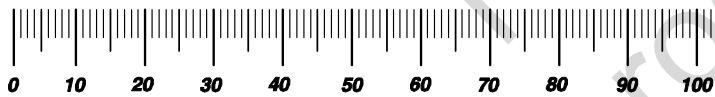
Footnotes:

Not for
Reproduction

Hardware Identification & Torque Specifications

Torque Specification Chart								
FOR STANDARD METRIC MACHINE HARDWARE (Tolerance ± 20%)								
Property Class	5.6		8.8		10.9		12.9	
	Class 5.6		Class 8.8		Class 10.9		Class 12.9	
Size Of Hardware	in/lbs		in/lbs		in/lbs		in/lbs	
	ft/lbs	Nm.	ft/lbs	Nm.	ft/lbs	Nm.	ft/lbs	Nm.
M3	5.88	.56	13.44	1.28	19.2	1.80	22.92	2.15
M4	13.44	1.28	30.72	2.90	43.44	4.10	52.56	4.95
M5	26.4	2.50	60.96	5.75	5.97	8.10	7.15	9.7
M6	44.64	4.3	7.3	9.9	10.3	14	12.1	16.5
M7	5.2	7.1	12.1	16.5	16.9	23	19.9	27
M8	7.7	10.5	17.7	24	25	34	29	40
M10	15	21	35	48	50	67	59	81
M12	26	36	61	83	86.2	117	103	140
M14	42	58	101	132	136	185	162	220
M16	64	88	147	200	210	285	250	340
M18	89	121	202	275	287	390	346	470
M20	126	171	290	390	405	550	486	660
M22	169	230	390	530	559	745	656	890
M24	217	295	497	375	708	960	840	1140
M27	320	435	733	995	1032	1400	1239	1680
M30	435	590	995	1350	1401	1900	1681	2280
M33	590	800	1349	1830	1902	2580	2278	3090
M36	759	1030	1740	2360	2441	3310	2935	3980
M39	988	1340	2249	3050	3163	4290	3798	5150

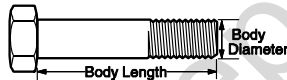
The guides and ruler furnished below are designed to help you select the appropriate hardware.



Nut, M8

Thread Diameter (mm)
Inside Diameter (in)
Threads per inch

Nut, 1/2-16



Screw, M8- 1.25 x 25

Thread Diameter (mm)
Body Diameter
Distance between threads (mm)
Threads per inch
Body Length (mm)
Body Length (in)

Screw, 1/2- 16 x 2



Standard Hardware Sizing

When a washer or nut is identified as 1/2" (M8), this is the *Nominal size*, meaning the *inside diameter* is 1/2 inch (8mm metric thread diameter); if a second number is present it represents the *threads per inch* (distance between threads).

When bolt or capscrew is identified as 1/2 - 16 x 2" (M8 - 1.25 x 50), this means the *Nominal size*, or body diameter is 1/2 inch (8mm metric thread diameter), the second number, 16, represents the *threads per inch*, (1.25 thread diameter). The final number is the body length of the bolt or screw, 2 inches (50mm).

Torque Specification Chart						
FOR STANDARD MACHINE HARDWARE (Tolerance ± 20%)						
Hardware Grade	No Marks		SAE Grade 5		SAE Grade 8	
	SAE Grade 2		SAE Grade 5		SAE Grade 8	
Size Of Hardware	in/lbs		in/lbs		in/lbs	
	ft/lbs	Nm.	ft/lbs	Nm.	ft/lbs	Nm.
8-32	19	2.1	30	3.4	41	4.6
8-36	20	2.3	31	3.5	43	4.9
10-24	27	3.1	43	4.9	60	6.8
10-32	31	3.5	49	5.5	68	7.7
1/4-20	66	7.6	8	10.9	12	16.3
1/4-28	76	8.6	10	13.6	14	19.0
5/16-18	11	15.0	17	23.1	25	34.0
5/16-24	12	16.3	19	25.8	29	34.0
3/8-16	20	27.2	30	40.8	45	61.2
3/8-24	23	31.3	35	47.6	50	68.0
7/16-14	30	40.8	50	68.0	70	95.2
7/16-20	35	47.6	55	74.8	80	108.8
1/2-13	50	68.0	75	102.0	110	149.6
1/2-20	55	74.8	90	122.4	120	163.2
9/16-12	65	88.4	110	149.6	150	204.0
9/16-18	75	102.0	120	163.2	170	231.2
5/8-11	90	122.4	150	204.0	220	299.2
5/8-18	100	136	180	244.8	240	326.4
3/4-10	160	217.6	260	353.6	386	525.0
3/4-16	180	244.8	300	408.0	420	571.2
7/8-9	140	190.4	400	544.0	600	816.0
7/8-14	155	210.8	440	598.4	660	897.6
1-8	220	299.2	580	788.8	900	1,244.0
1-12	240	326.4	640	870.4	1,000	1,360.0

NOTES

- These torque values are to be used for all hardware excluding: locknuts, self-tapping screws, thread forming screws, sheet metal screws and socket head setscrews.
- Recommended seating torque values for locknuts:
 - for prevailing torque locknuts - use 65% of grade5 torques.
 - for flange whizlock nuts and screws - use 135% of grade 5 torques.
- Unless otherwise noted on assembly drawings, all torque values must meet this specification.

Common Hardware Types

Hex Head Capscrew



Washer



Carriage Bolt



Lockwasher



Hex Nut



Wrench & Fastener Size Guide

1/4" Bolt or Nut Wrench—7/16"	5/16" Bolt or Nut Wrench—1/2"	3/8" Bolt or Nut Wrench—9/16"	7/16" Bolt or Nut Wrench (Bolt)—5/8" Wrench (Nut)—11/16"	1/2" Bolt or Nut Wrench—3/4"
M6 Bolt or Nut Wrench—10mm	M8 Bolt or Nut Wrench—13mm	M10 Bolt or Nut Wrench—17mm	M12 Bolt or Nut Wrench—19mm	M14 Bolt or Nut Wrench—22mm

Parts Manual for

SNAPPER®

24" MID FRAME TWO-STAGE SNOW THROWERS (2010)

Not for
Reproduction

IT IS THE POLICY OF BRIGGS & STRATTON CORP TO IMPROVE ITS PRODUCTS WHENEVER IT IS POSSIBLE AND PRACTICAL TO DO SO. WE RESERVE THE RIGHT TO MAKE CHANGES OR ADD IMPROVEMENTS AT ANY TIME WITHOUT INCURRING ANY OBLIGATION TO MAKE SUCH CHANGES ON PRODUCTS

Briggs & Stratton Yard Power Products Group

535 Macon Road
McDonough, GA, 30253 U.S.A.
800-935-2967

www.snapper.com

Copyright © 2010 Briggs & Stratton Corporation
Milwaukee, WI USA. All Rights Reserved

Manual No. 7104727

Revision: A 10/1/2010